

User Manual

GoDEX

RT800i+ SERIES

Thermal Label Printer



User Manual: RT800i+ Series
Version : Ver. A.1
Issue Date : 2023/06/21
P/N : 920-01A011-00

Contents

1 Barcode Printer	5
1.1 Box Content	5
1.2 Barcode Printer	6
2 Printer Setup	10
2.1 Open the Printer	10
2.2 Loading the Ribbon	11
2.3 Loading the Label Roll Module	16
2.4 Connecting the Printer to the Host Computer	18
2.5 Installing printer driver and GoLabel II	20
3 Printer Setting and Control	26
3.1 Operation Panel	26
3.2 LCD Interface Introduction	27
3.3 LCD Interface Function	32
3.4 Label Calibration and Self Test	37
3.5 Error Alerts	39
3.6 USB Host	41
3.7 Dump Mode Begin	43
4 NetSetting for Ethernet	44
4.1 Installing the NetSetting software	44
4.2 The Interface of NetSetting	46
5 Accessories	53
5.1 Preparation Steps	53
5.2 Installing the Label Dispenser	55
5.3 Installing the Cutter	61
5.4 Cleaning Method	65
5.5 Installing the bluetooth module (For RT833i · RT863i)	66
5.6 Installing the WiFi Module (For RT833i/RT863i)	67
6 Maintenance and Adjustment	68
6.1 Cleaning the Print Head	68
6.2 Troubleshooting	69
APPENDIX—PRODUCT SPENIFICATIONS	70
APPENDIX—Communication Port Specifications	72
APPENDIX—FILE MANIPULATION WHEN USING USB STICK	73
APPENDIX—Bluetooth setting	74
APPENDIX—Wi-Fi Setting	86
APPENDIX—Wi-Fi Printer Sever Module Installation(Quick Setting)	93

**FCC COMPLIANCE STATEMENT
FOR AMERICAN USERS**

This equipment has been tested and found to comply with the limits for a Class B digital device, pursuant to Part 15 of the FCC Rules. These limits are designed to provide reasonable protection against harmful interference in a residential installation. This equipment generates, uses, and can radiate radio frequency energy and, if not installed and used in accordance with the instructions, may cause harmful interference to radio communications.

**TO WHICH THIS DECLARATION RELATES
IS IN CONFORMITY WITH THE FOLLOWING STANDARDS**

IEC 62368-1:2018

EN IEC 61000-3-2:2019, EN 61000-3-3:2013+A1:2019

EN 55035:2017+A11:2020 (IEC 61000-4-2 Edition 2.0 2008-12, IEC 61000-4-3 Edition 3.2 2010-04, IEC 61000-4-4 Edition 3.0 2012-04, IEC 61000-4-5 Edition 3.1 2017-08, IEC 61000-4-6 Edition 4.0 2013-10, IEC 61000-4-8 Edition 2.0 2009-09, IEC 61000-4-11 Edition 3.0 2020-01)

47 CFR FCC Rules and Regulations Part 15 Subpart B, Class B Digital Device
ICES-003 Issue 6, Class B

UL62368-1, 3rd Ed.

CSA C22.2 No. 62368-1:19, 3rd Ed.

SAFETY INSTRUCTIONS

Please read the following instructions carefully.

1. Keep the equipment away from humidity.
2. Before you connect the equipment to the power outlet, please check the voltage of the power source.
3. Make sure the printer is off before plugging the power connector into the power jack.
4. It is recommended that you connect the printer to a surge protector to prevent possible transient overvoltage damage.
5. Be careful not to get liquid on the equipment to avoid electrical shock.
6. For safety and warranty reasons, ONLY qualified service personnel should open the equipment.
7. Do not repair or adjust energized equipment under any circumstances.
8. The cutter is an optional accessory. If the cutter is installed, it is not suitable for children to approach.

*This device is not suitable for the areas where children may appear



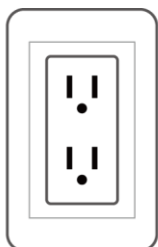
Hot parts!

Burned fingers when handling the parts

Wait one-half hour after switching off before handling parts.



The blade is sharp, please do not touch.



Do not remove the ground pin of power cord. Grounding is an important safety feature. Please keep the power cord grounded all the time

Caution

*** Danger of explosion if battery is incorrectly replaced. Replace only with the equivalent type recommended by the manufacturer.

*** Dispose of used batteries according to the manufacturer's instructions.

*** Only use with designated power supply adapter model.

*** Changes or modifications not expressly approved by the party responsible for compliance could void the user's authority to operate the equipment.

Specifications are subject to change without notice.

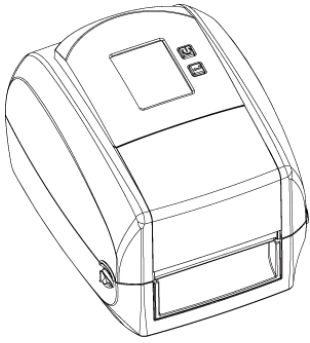
1 Barcode Printer

1.1 Box Content

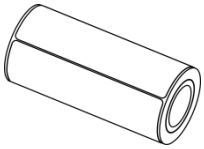
Please check that all of the following items are included with your printer.

(Package content and Logo style may vary per region.)

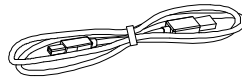
- RT800i+ Barcode Printer



- Label Stock



- USB Cable

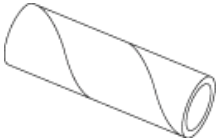


- Quick Guide

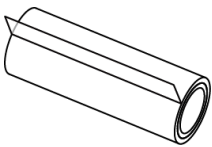


- Ribbon Module

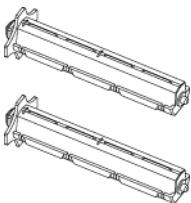
Empty Ribbon Core



Ribbon

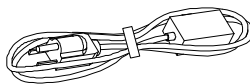


Ribbon Hubs(For RT863i)

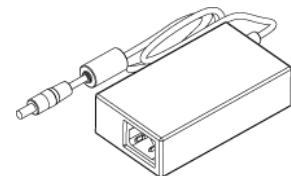


- Power Adapter

Power Cord



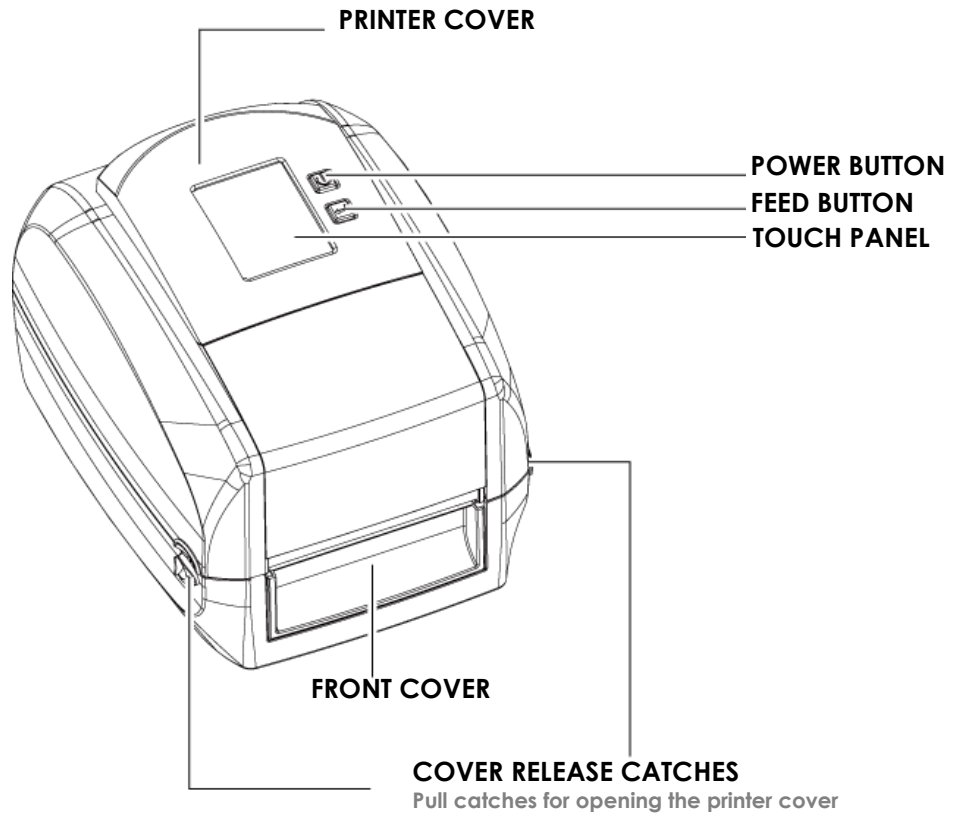
AC Adapter



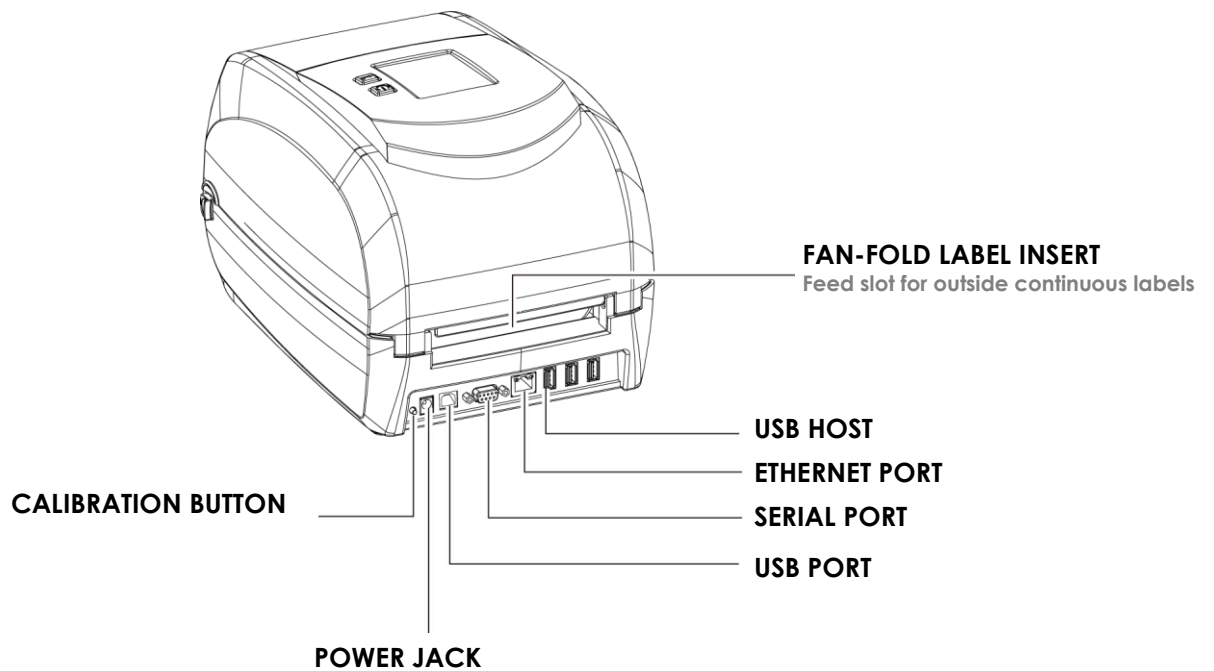
1.2 Barcode Printer

Device Overview

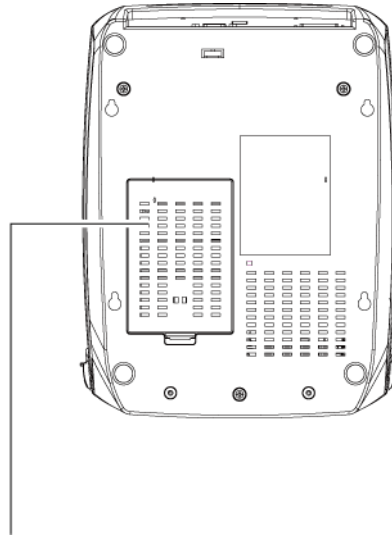
- Front View



- Rear View



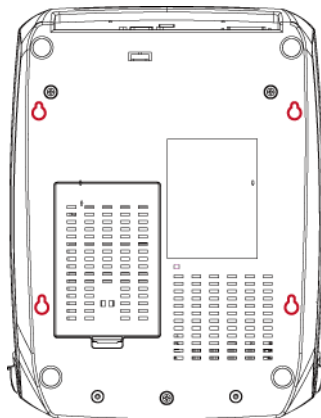
- **Bottom View**



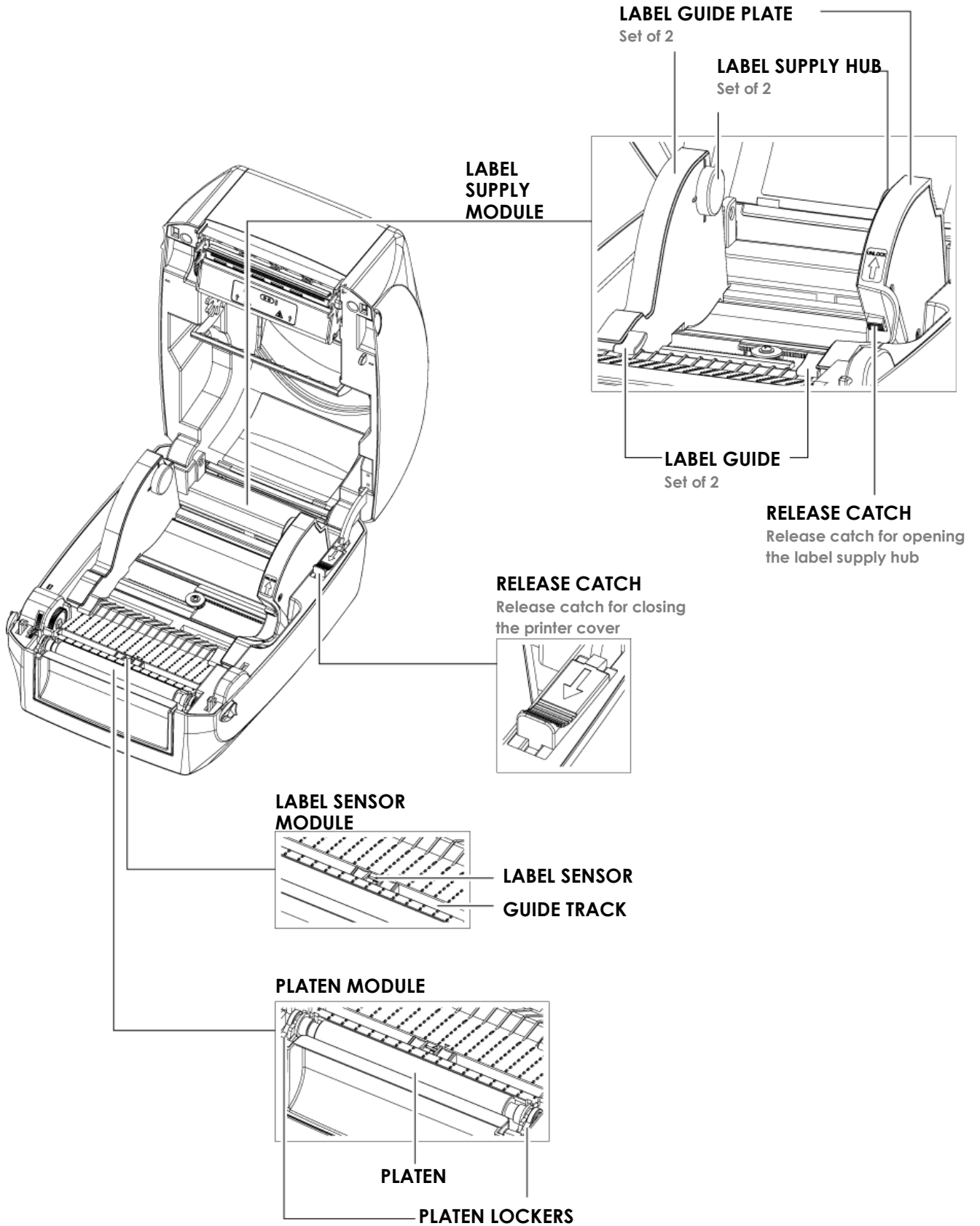
COVER OF THE MODULE CONNECTION JACKS

Note

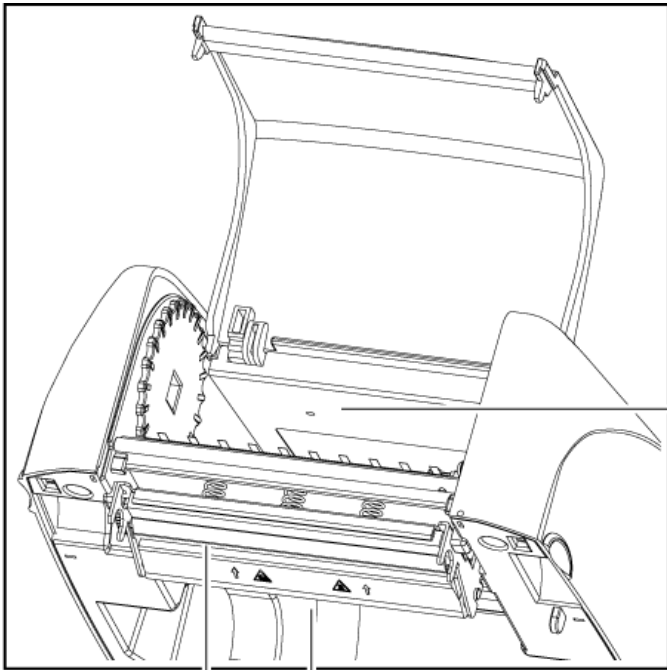
* Cut-outs are not intended for wall-mount use. Please make sure that the machine and personnel protective measures in case you need to use the wall-mount.



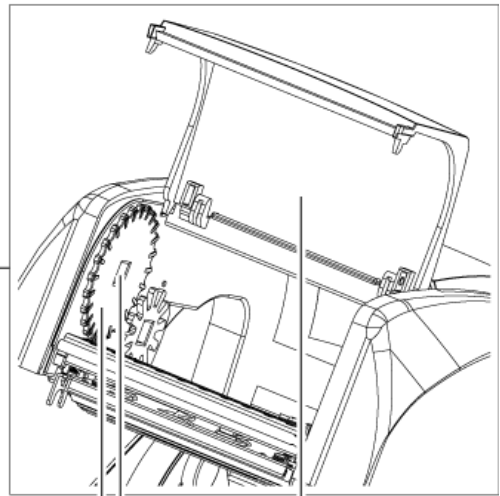
•The Internal View of Printer



The Printing Mechanism



RIBBON REWIND MECHANISM

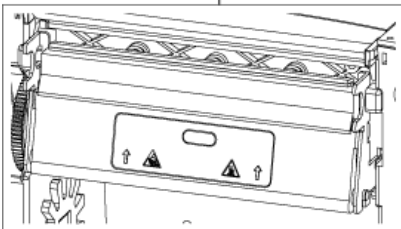


COVER
The cover for Ribbon
rewind mechanism

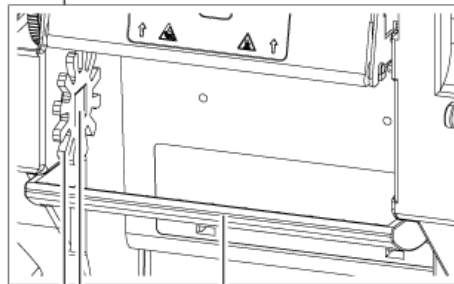
NOTCH OF RIBBON REWIND WHEEL

RIBBON REWIND WHEEL

PRINT HEAD



RIBBON SUPPLY MECHANISM



PAPER PRESS BAR

NOTCH OF RIBBON SUPPLY

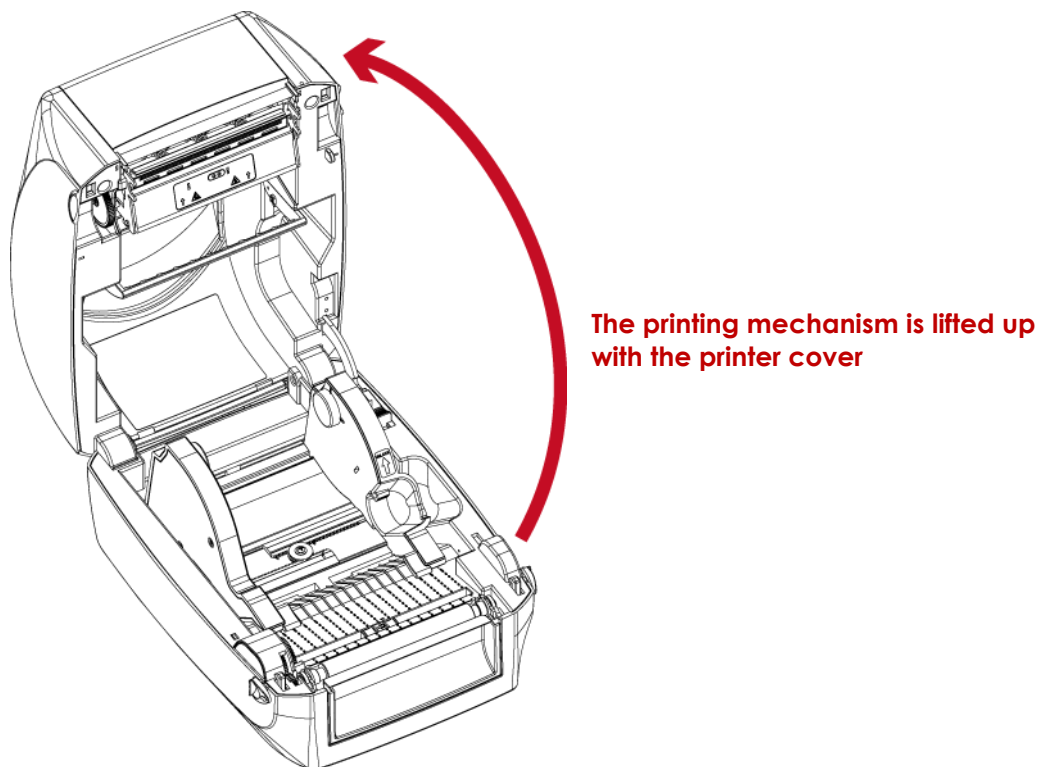
RIBBON SUPPLY WHEEL

2 Printer Setup

2.1 Open the Printer

Open the Printer Cover and the Printing Mechanism

Place the printer on a flat surface. Open the printer cover by pulling the cover release catches on both sides of the printer and lift the printer cover.

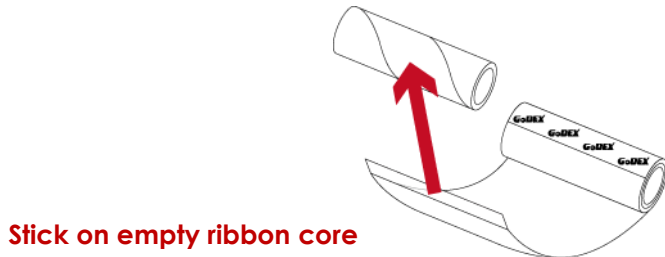


2.2 Loading the Ribbon

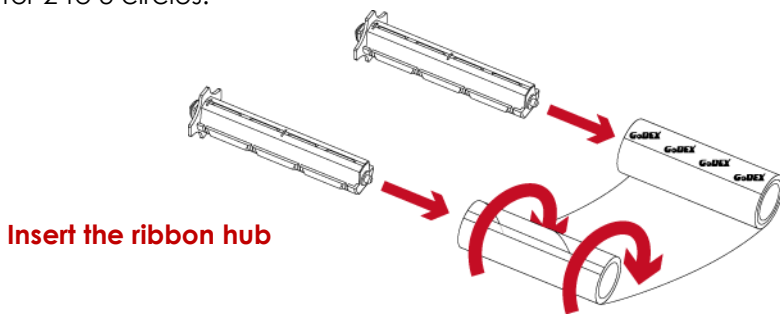
A New Ribbon Module Installation



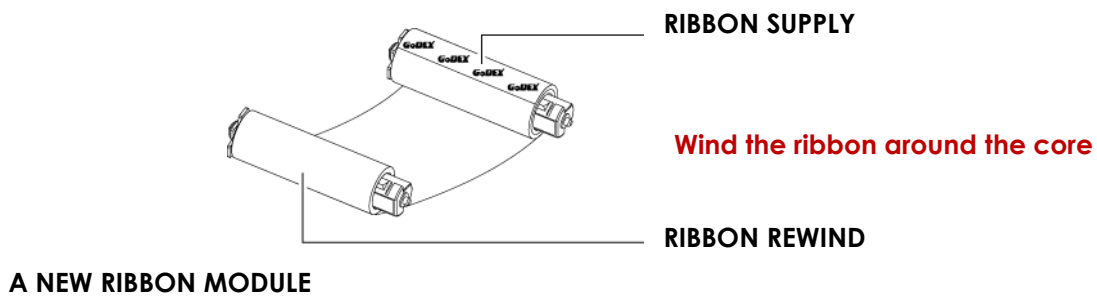
1. Attach the ribbon to the empty ribbon core with the adhesive strip at the end of the ribbon.



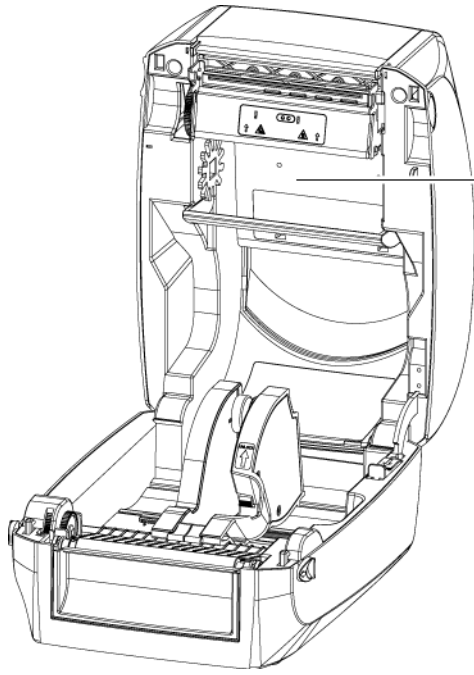
2. Insert the ribbon hub into empty ribbon core and new ribbon. Wind the ribbon around the empty ribbon core for 2 to 3 circles.



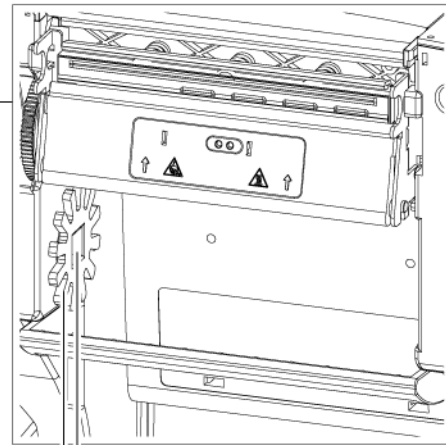
3. A ribbon module is assembled as below.



Load the Ribbon on the Printer For Ribbon Supply Module



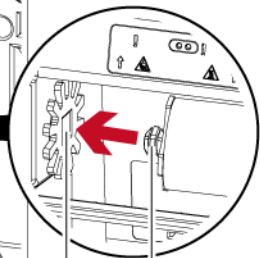
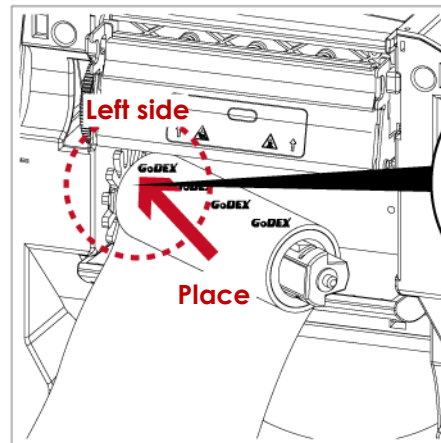
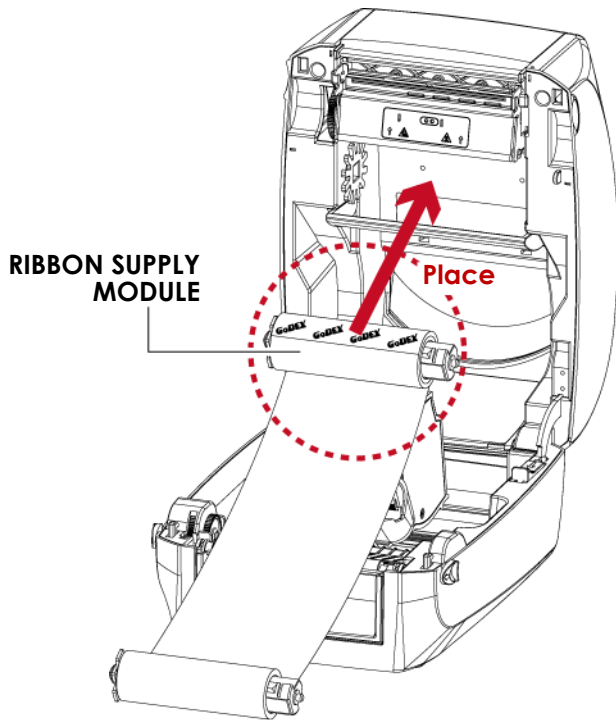
RIBBON SUPPLY MECHANISM



NOTCH OF RIBBON SUPPLY WHEEL

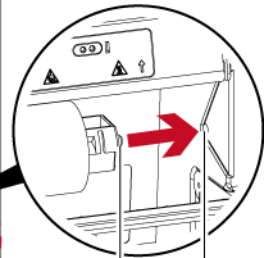
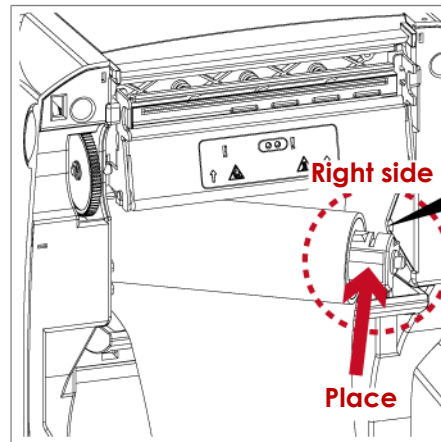
RIBBON SUPPLY WHEEL

1. Place the ribbon supply module into the printing mechanism. Please the left-hand side of ribbon hub first. Make sure the holder of ribbon hub is inserted into the notch. Then place the right-hand side of ribbon hub.



HOLDER

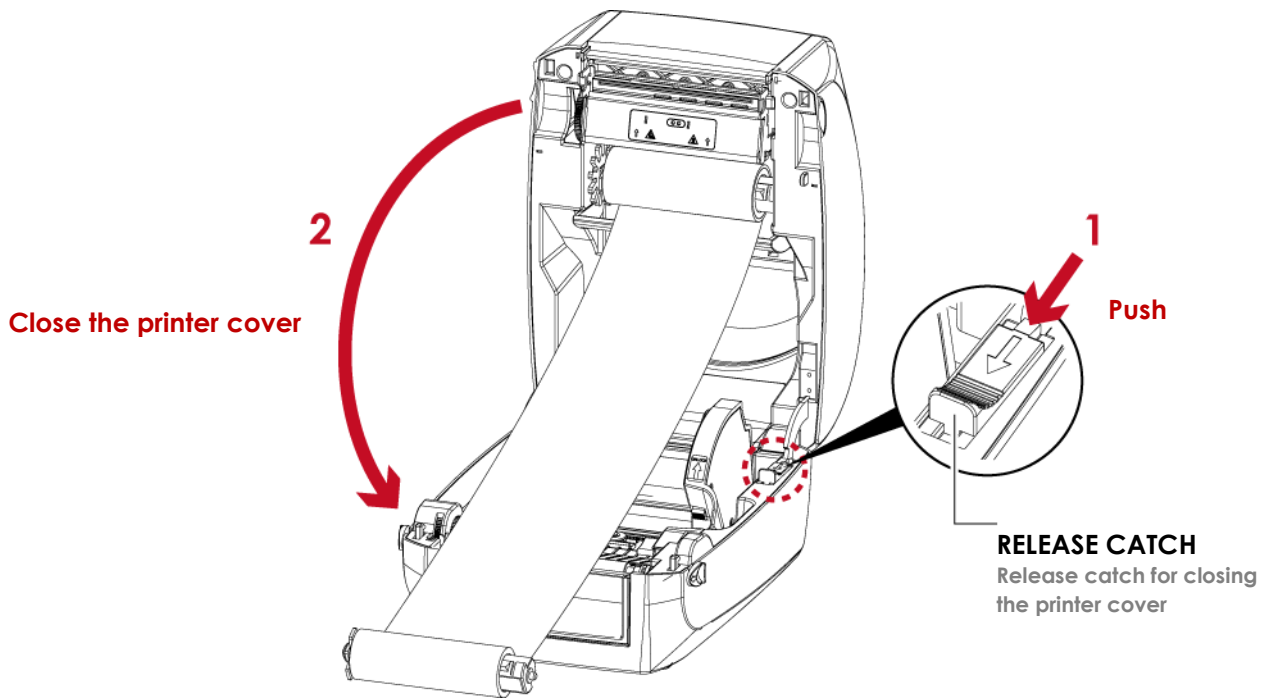
NOTCH OF RIBBON SUPPLY WHEEL



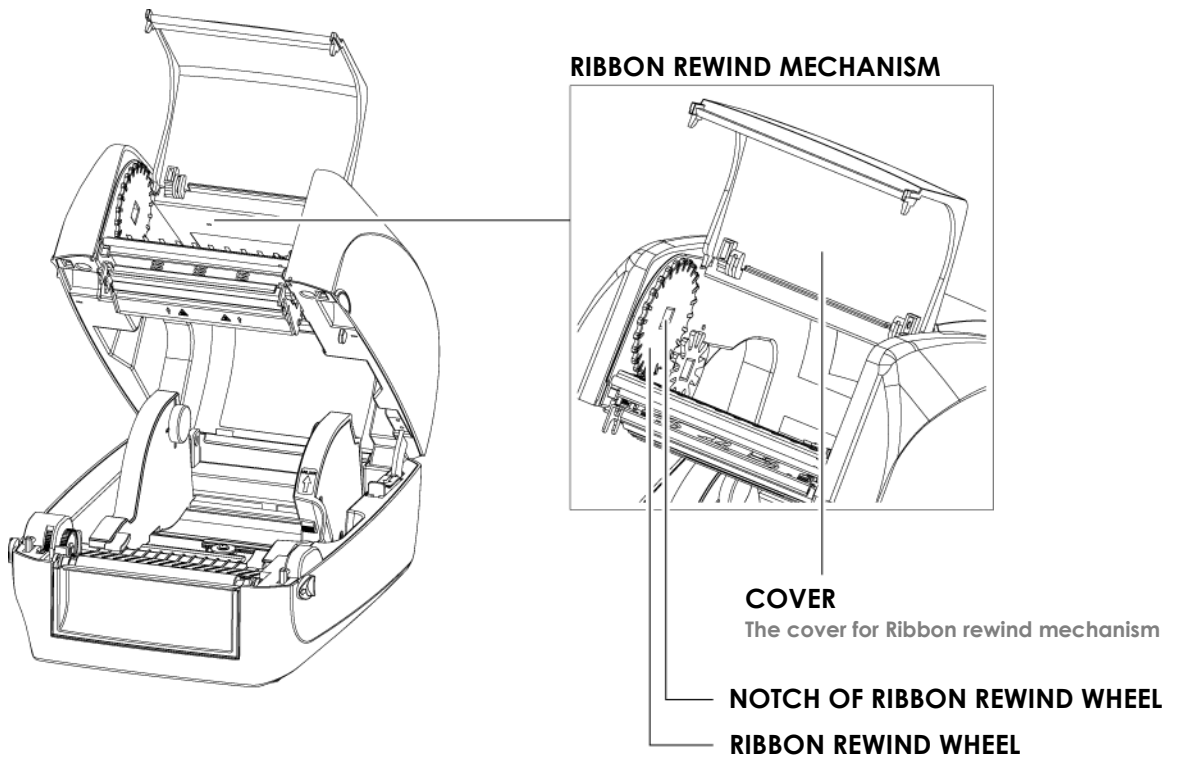
HOLDER

NOTCH

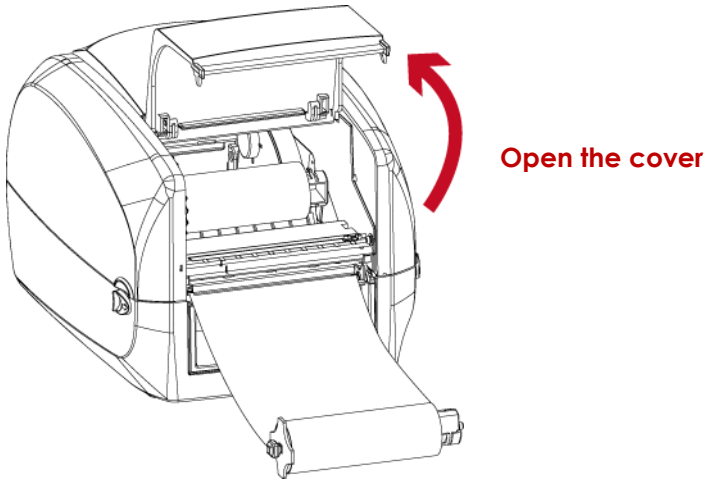
2. Unlock the release catch to close the printer cover. Push the release catch forward to unlock it. The ribbon supply module loading is completed.



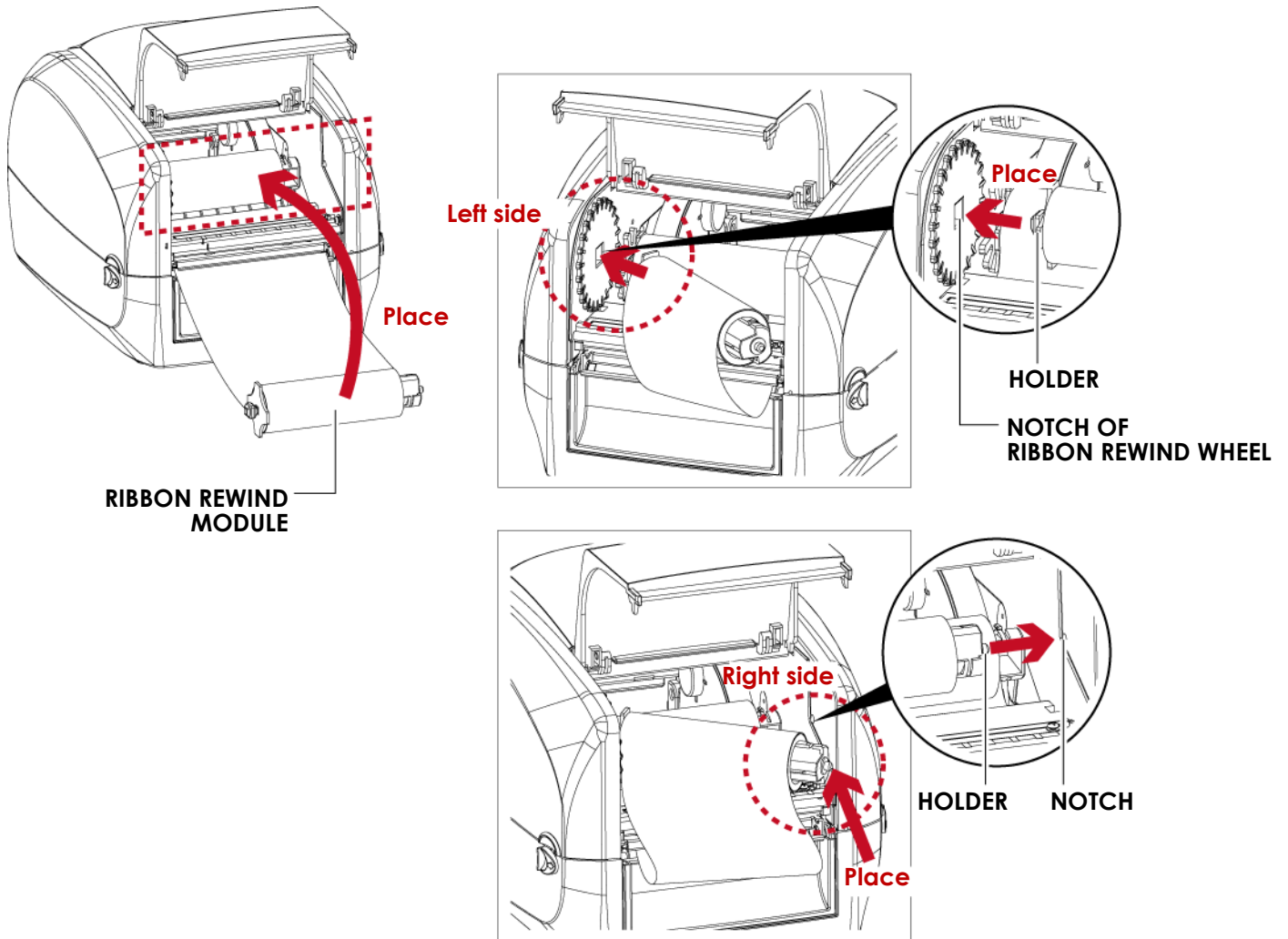
**Load the Ribbon on the Printer
For Ribbon Rewind Module**



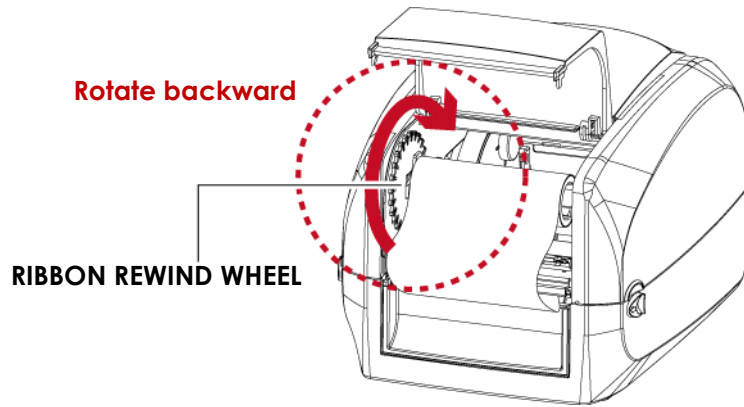
1. Open the cover of ribbon rewind mechanism.



1. Place the ribbon rewind module into the ribbon rewind mechanism.
Please the left-hand side of ribbon hub first. Make sure the holder of ribbon hub is inserted into the notch.
Then place the right-hand side of ribbon hub.

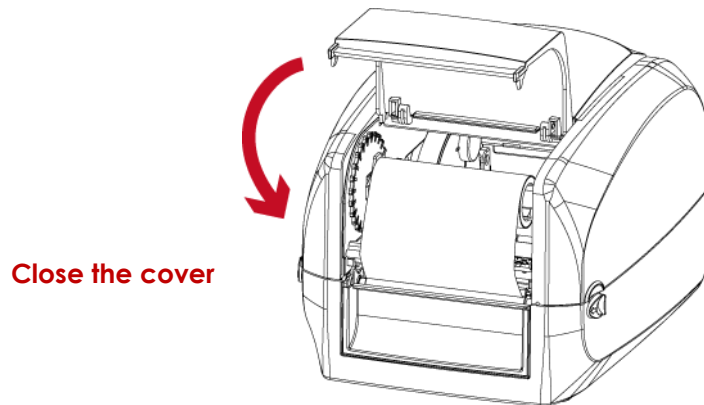


3. Turn the ribbon rewind wheel to tighten the ribbon until it has no wrinkles.



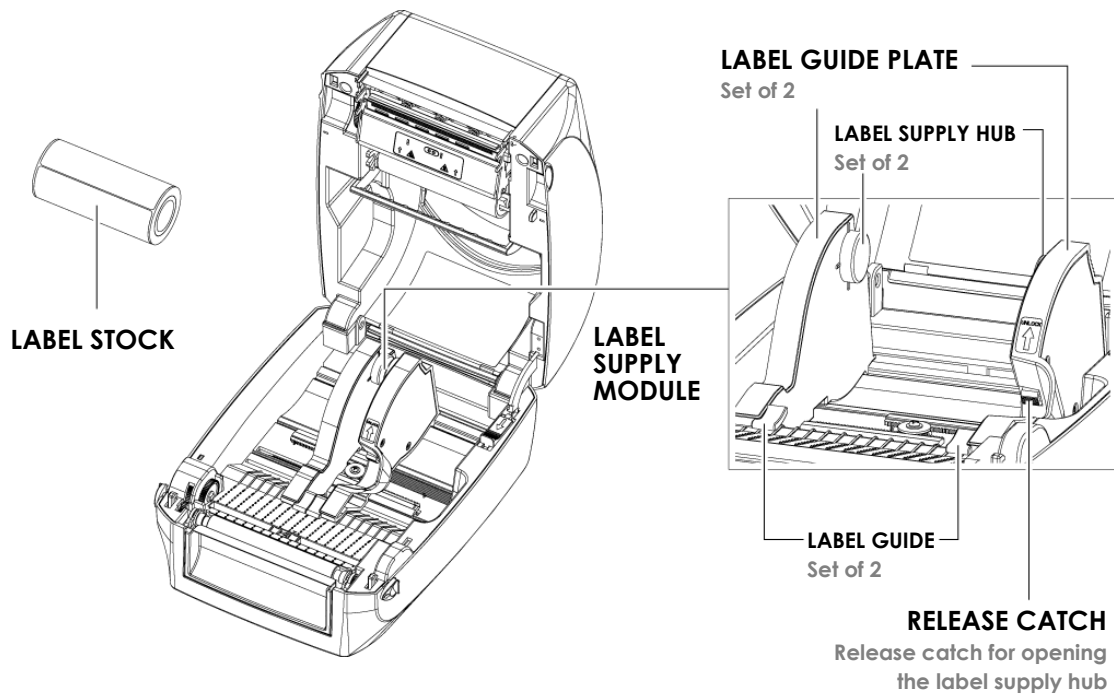
4. Close the cover of ribbon rewind mechanism.

The ribbon loading is completed once the ribbon supply module and ribbon rewind module are assembled correctly.

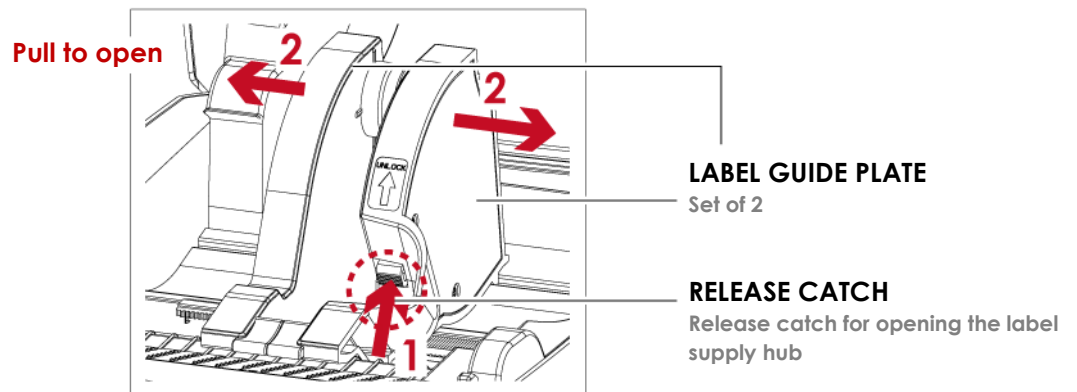


2.3 Loading the Label Roll Module

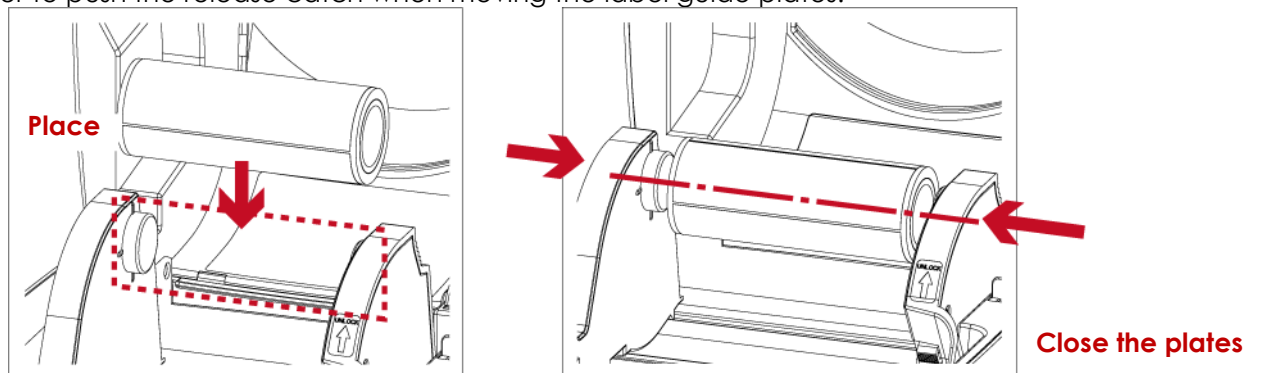
Loading the Label Stock on the Printer



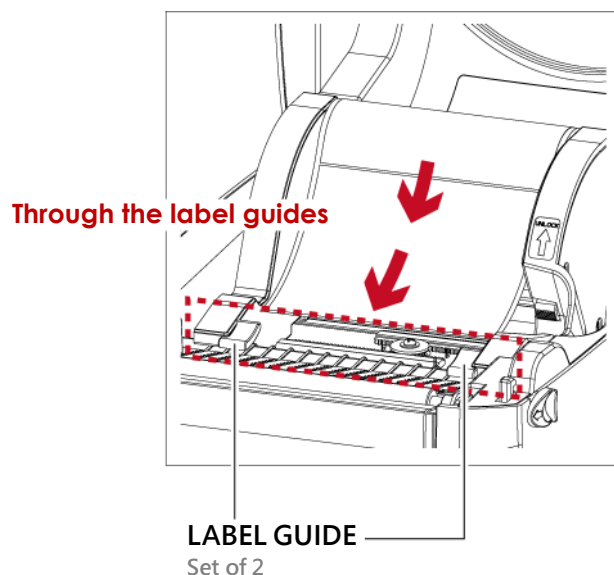
1. Unlock the ribbon catch and pull to open the label guide plate.



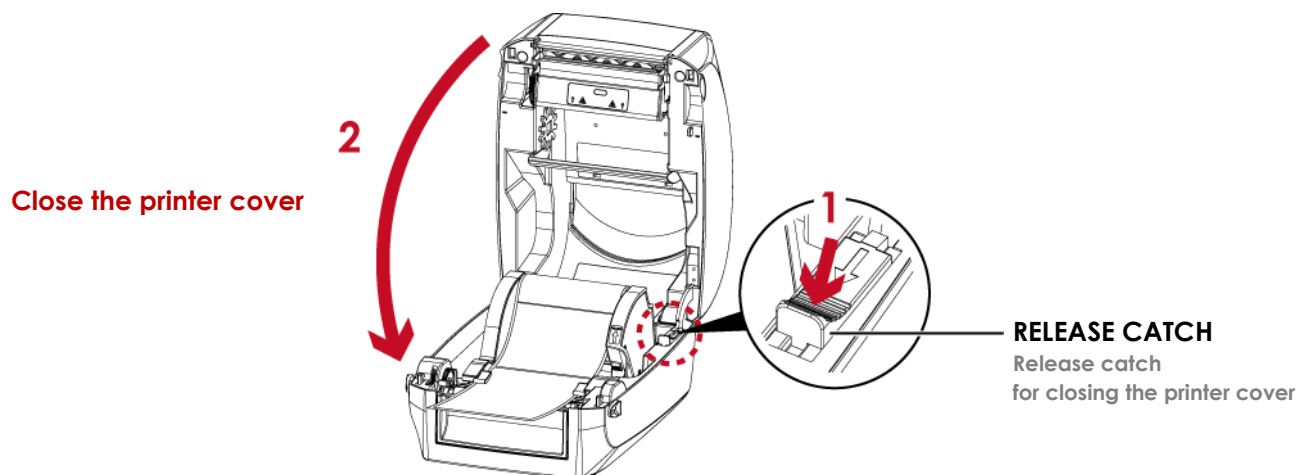
2. Place the label stock on label supply hubs. Make sure the label stock is aligned to both hubs. Adjust the label guide plates to fix the label width. Remember to push the release catch when moving the label guide plates.



3. Feed the Label through the label guides. The label guides will help to prevent the label swaying.



4. Unlock the release catch to close the printer cover.



5. Press the FEED key and make sure the label is fed smoothly. The label loading is completed now.

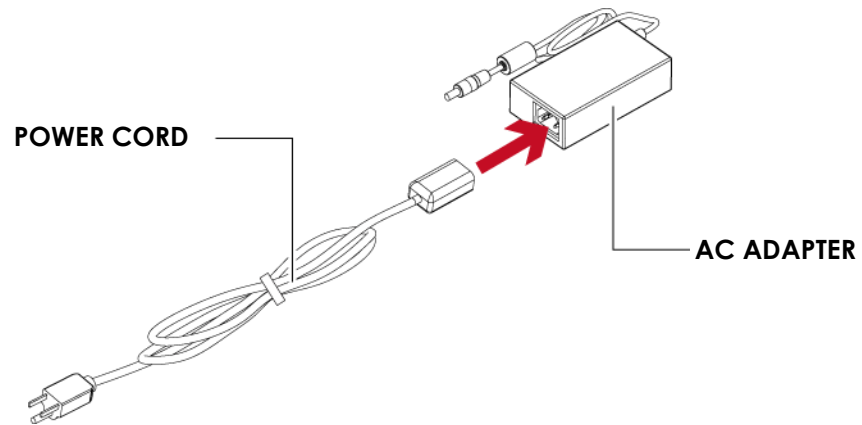


Note

* Please keeps the rack gear clean to ensure the smoothness of label holder.

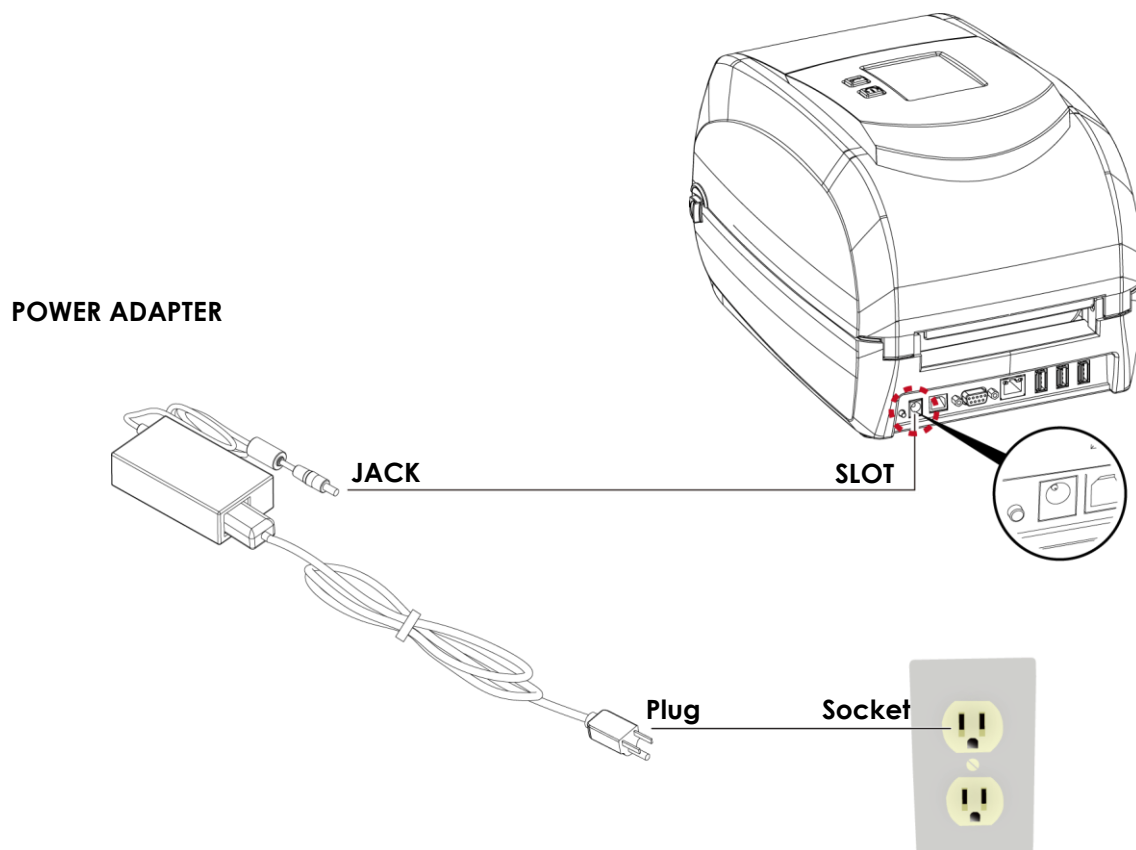
2.4 Connecting the Printer to the Host Computer

1. Please make sure that the printer is switched off.
2. Connect the power cord to the AC adapter.

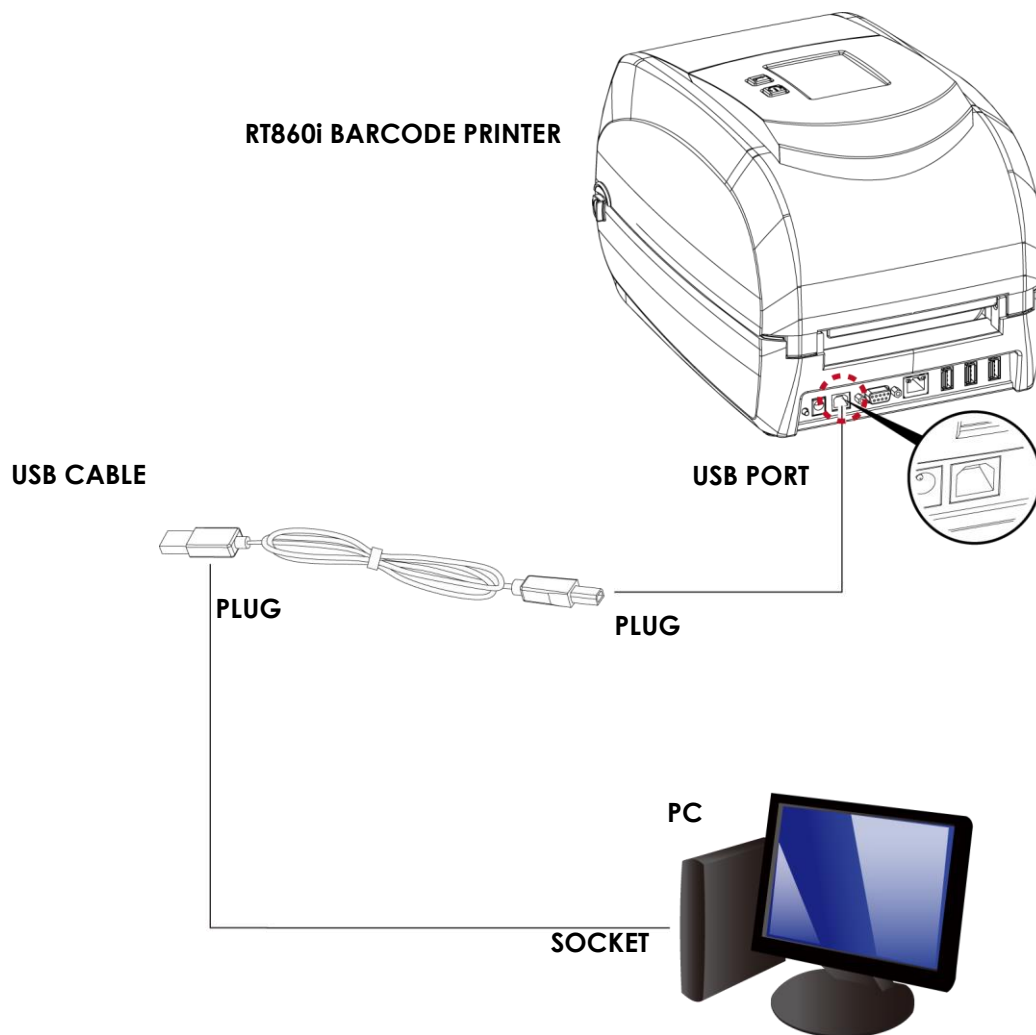


Connect the jack of the power adapter to the printer and connect the plug of the power adapter to the socket of the wall.

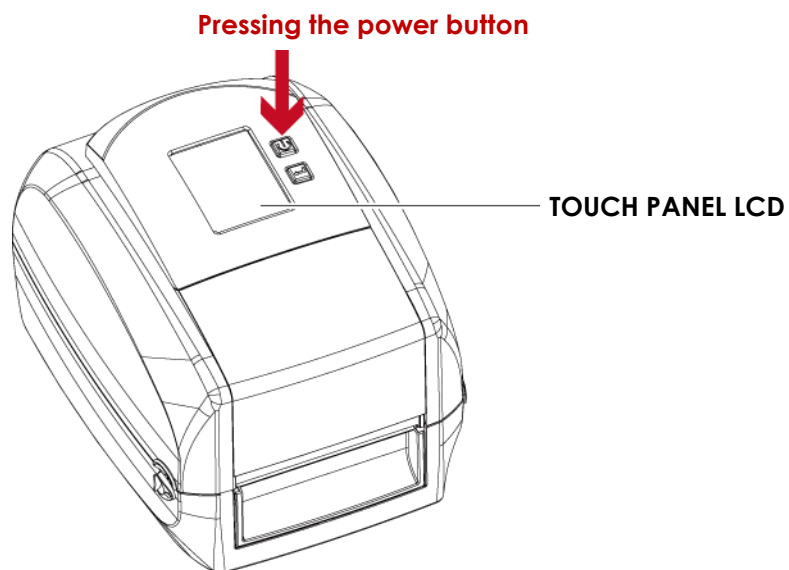
RT860i BARCODE PRINTER



3. Connect the USB/serial cable to the printer and host computer.



4. Pressing the power button. The Touch Panel LCD will lights up.



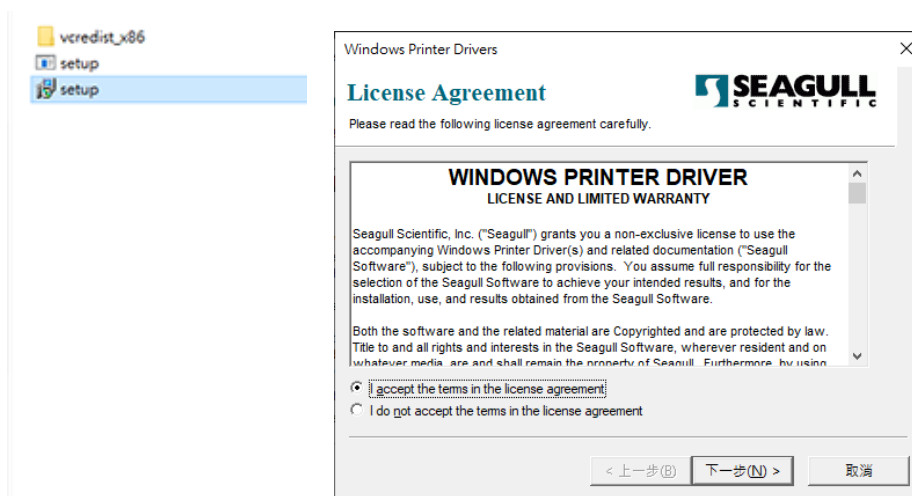
2.5 Installing printer driver and GoLabel II

Relevant documents and software can be found and download on GoDEX official website.

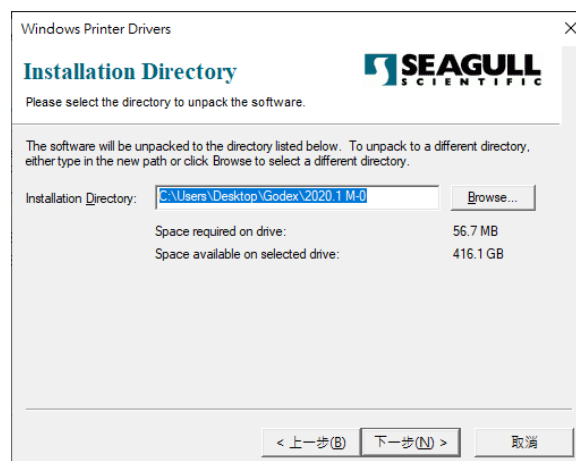
Driver

Step1. Click the compressed driver file in the folder.

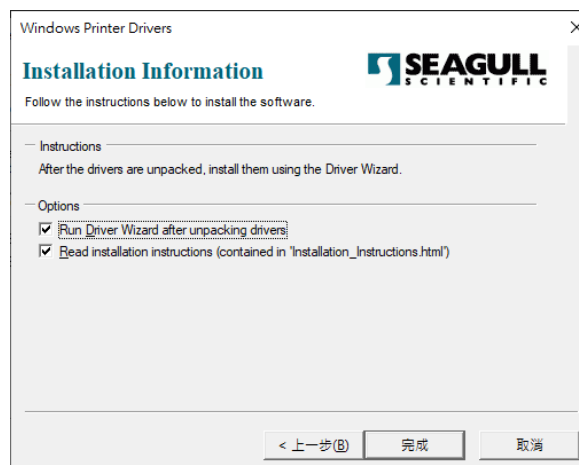
Select "I accept the terms in the license agreement." and click "Next".



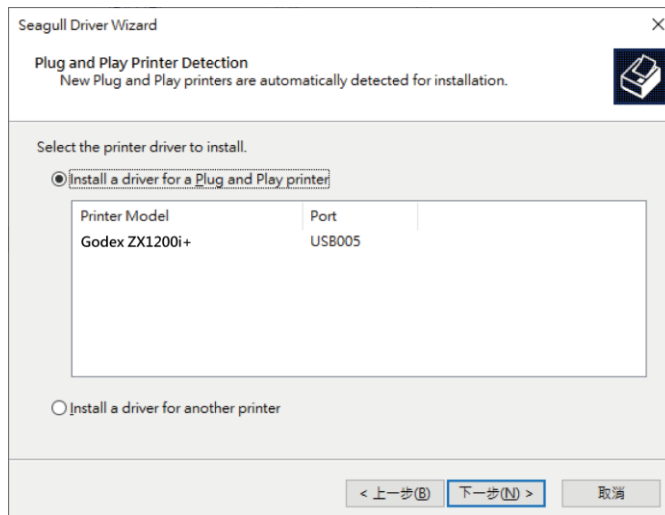
Step2. Select the path to unzip and click "Next"



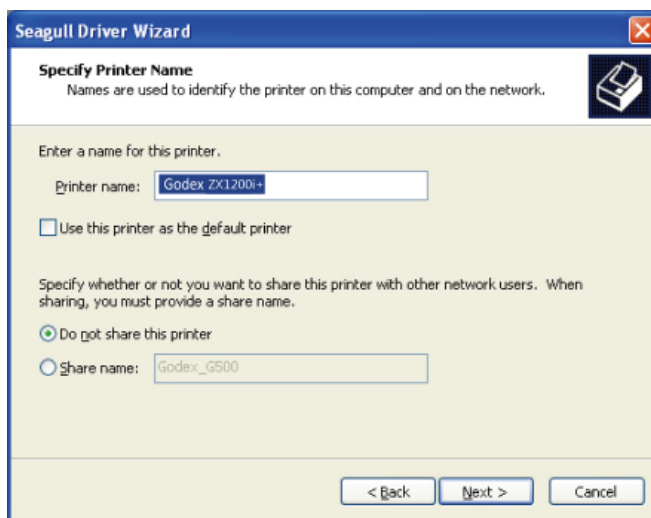
Step3. Click "Finish" and open the Driver Wizard



Step4. The driver installation wizard will automatically detect the model, please click "Next" to start the installation.



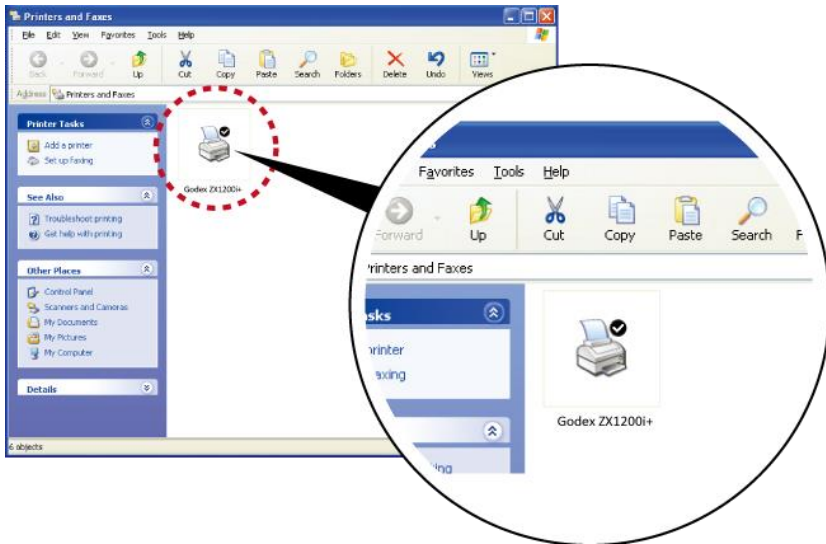
Step5. After entering the printer name, click "Next"



Step6. After confirming the settings, click "Finish" to install.

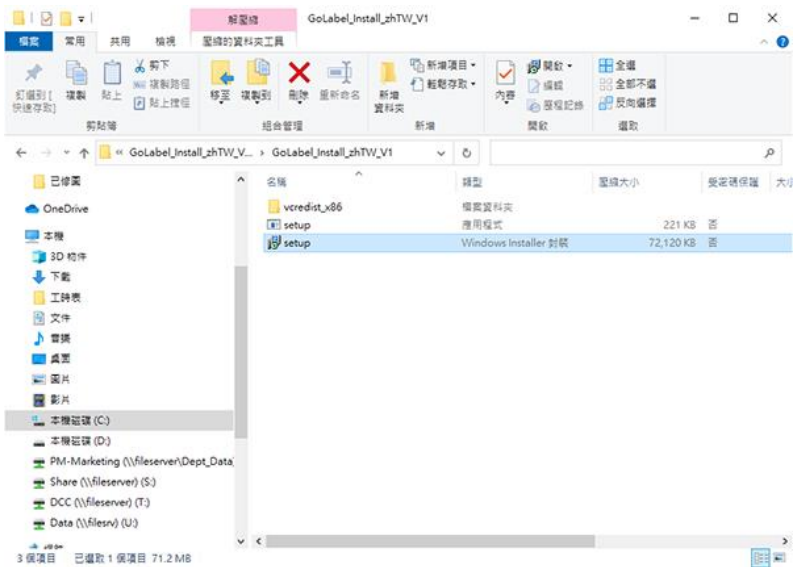


Step 7. Once the driver installation is complete, the new printer should appear in the "Printers and Faxes" folder.



Installing GoLabel II

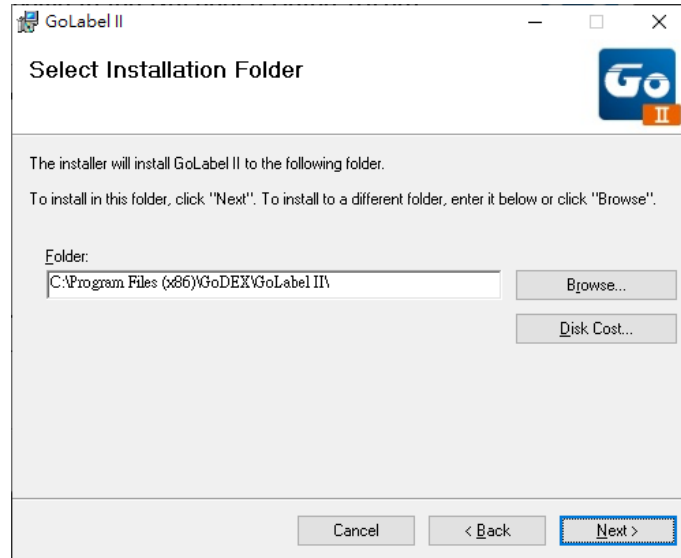
Step1. Click the installer in the folder to install.



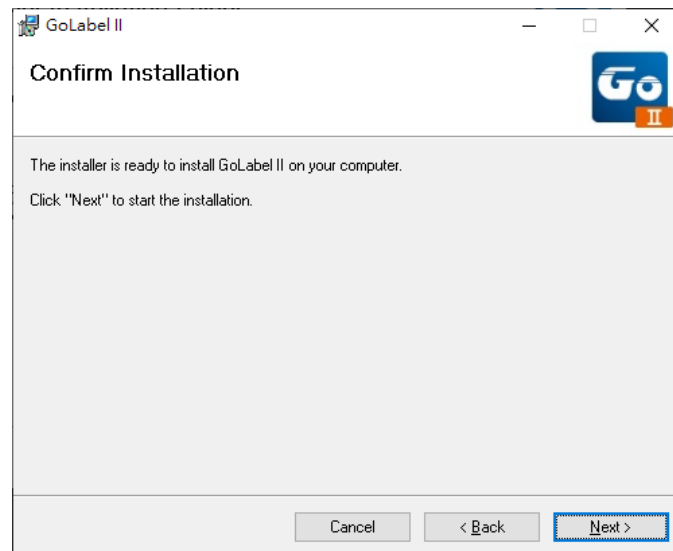
Step2. After entering the installation screen, click "Next".



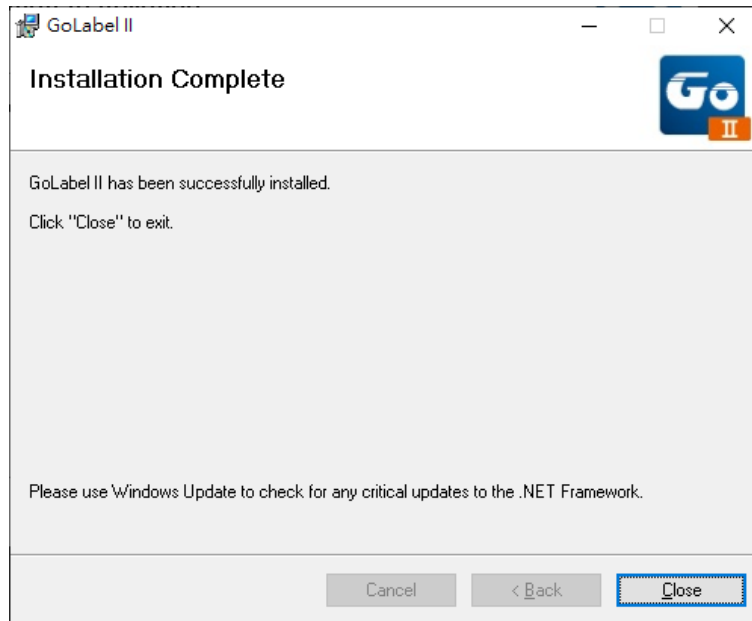
Step3. After selecting the folder to install, click “Next”



Step4. Click Next to start the installation.

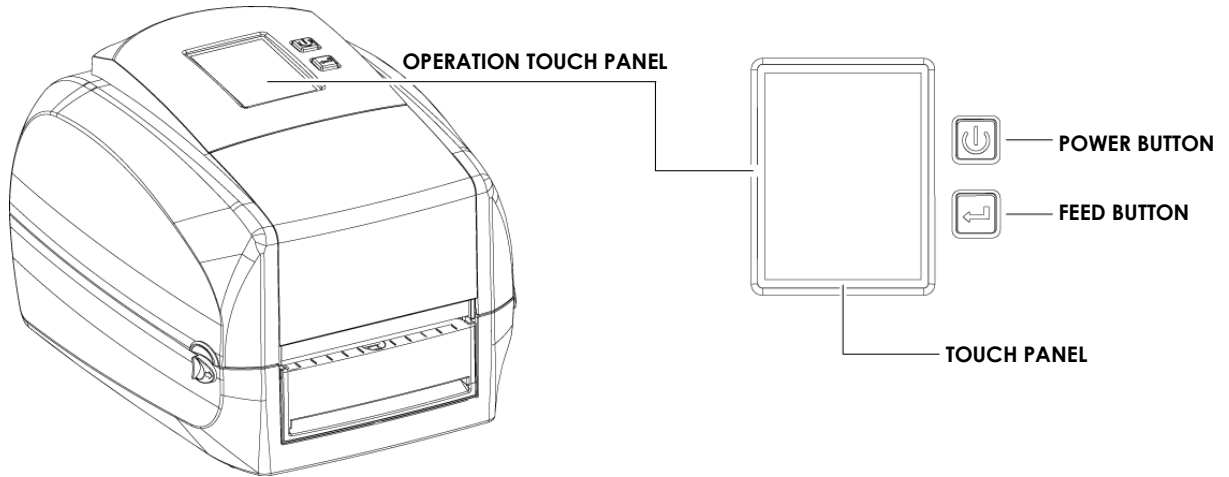


Step5. Finish installation



3 Printer Setting and Control

3.1 Operation Panel



POWER Button

Press the POWER button to turn on the printer, and the START UP SCREEN appears. The printer is on “ready to print” status, the LCD screen should display the message “READY” on the screen.

When printer is turned on, hold and press down the POWER button for 3 second will turn the printer off.

FEED Button

When you press the FEED button, the printer will advance media until the FEED button is released.

If you are using continuous labels, pressing the FEED button will advance a length of media until the button is released.

If you are using media with gaps, pressing the FEED button once will advance only one label.

If the label does not stop at the correct position, you need to run the auto-detection function for your media, please see Section 3.4 Label Calibration and Self-Test.

PAUSE PRINTING_FEED Button

Pressing the FEED button during printing will interrupt printing, and the LCD display message “PAUSE...”.

When the FEED button is pressed again, the printer resumes printing. Example: While a 10-label print job is running, you press the FEED button to pause the printer. Two of the labels have been printed. To resume printing and print the remaining eight labels, you will need to press the FEED button again.

CANCEL PRINTING_FEED Button

Press and hold the FEED button for 3 seconds during printing, the current print job will be cancelled.

Example: While a 10-label print job is running, you press the FEED button. Two of the labels have been printed. The print job is cancelled and the remaining eight labels will not be printed.

3.2 LCD Interface Introduction

Getting Started

Press the POWER button to turn on the printer, and the START UP SCREEN appears.



If the printer is on "ready to print" status, the LCD screen should display the message "Ready" on the screen. Use touch gestures to get around the main screen and other screen for setting.



Tap the screen with your finger when you want to select on screen items such as settings icons.

On the Ready Page, three function mode for setting. You can make various setting functions in FUNCTIONAL MODE.



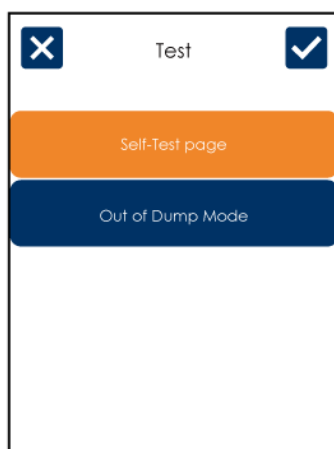
Tap "Main" --

Screen could show more detail of "Main"



Tap "Wizard" --



Set up printer of "Darkness", "Speed" ...

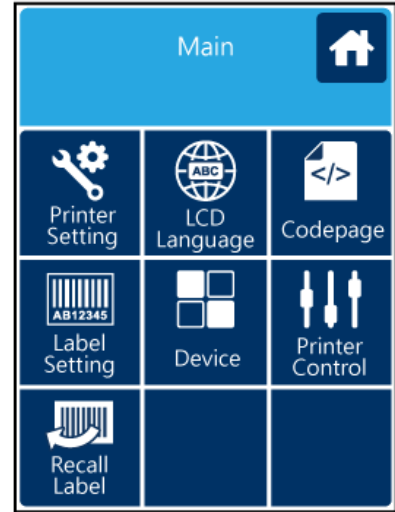


Tap "Test" -

Self-Test page and Calibration for setting.



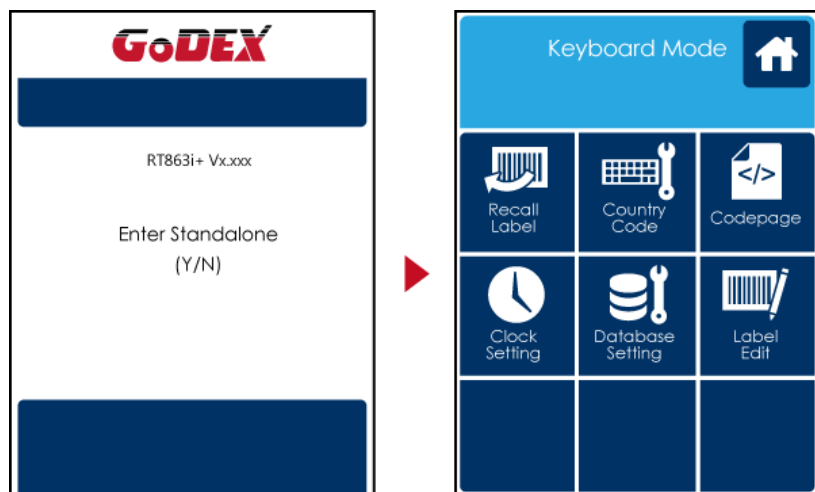
finish setting tap 
back to Main page, if
do not save, tap 
system back to Main page
and would not save any
changes.



▶ If printer functions locked, printer can not modify settings

Keyboard Mode

When plug-in an USB keyboard to the printer, LCD touch panel will display "Enter Standalone", press the "Y" key on keyboard to entering to the dialog for "Keyboard Mode" operation.



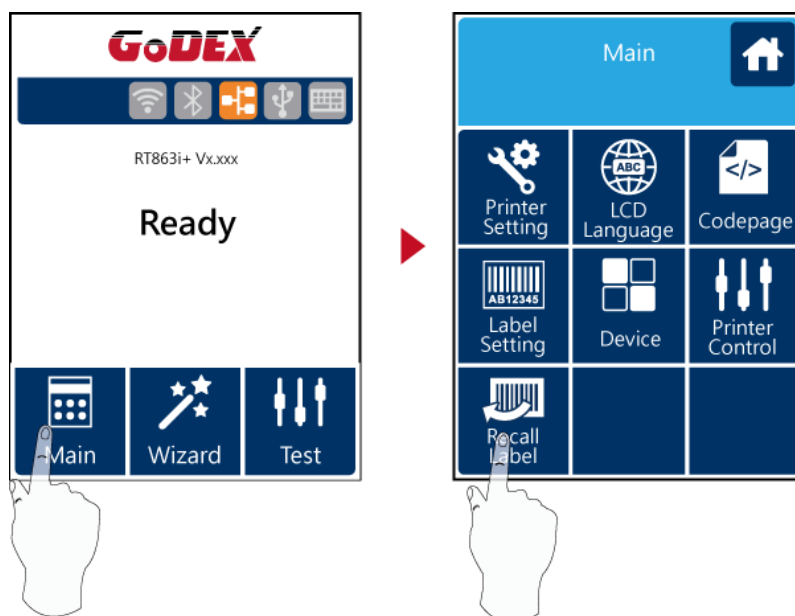
Preview Label function

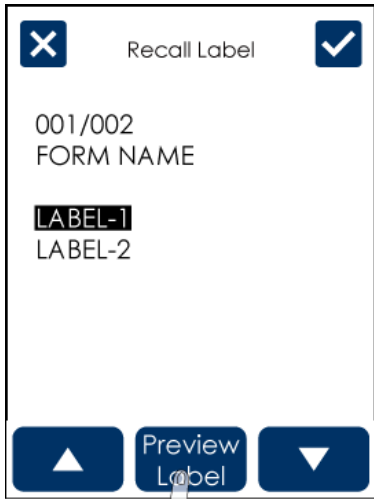
User can choose any labels to preview it before print it.

From the "Ready" page, tap 

to Main page


From the Main page tap Recall Label to Recall Label page.





From the Recall Label Page the touch panel shown on all labels,

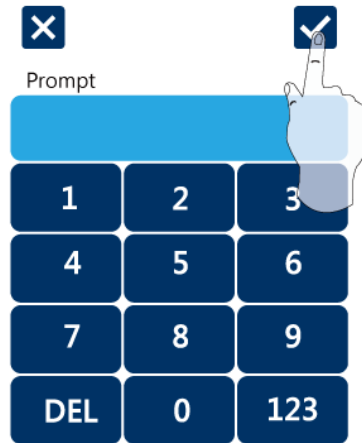
 Tap up to choose labels.

 Tap down to choose labels.

 Tap Preview Label can see printing label.



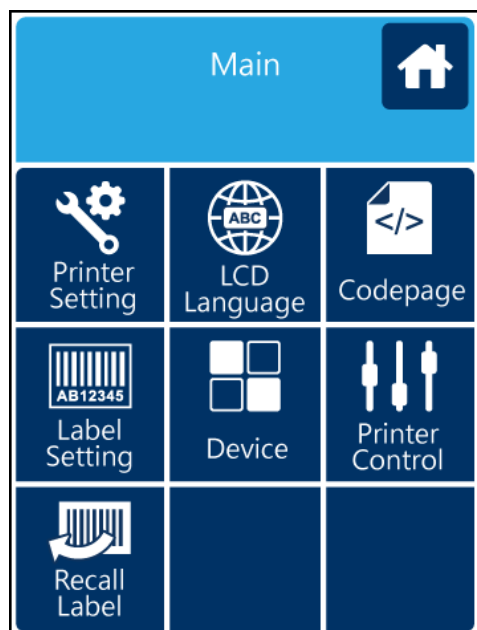
Keeping tap  to next page 



Print out selected label.

3.3 LCD Interface Function

Main Page



Setting items for printer, ex. Printing speed, darkness. Also includes a Printing Wizard for your ease of printing.



10 languages for printer setting



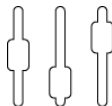
It consists of a table of values that describes the character set for a particular language



Setting items for printing label, ex. Rotation, Printing position offset



Providing Buzzer, Option Setting, Smart Backfeed, Serial Port Setting, LAN Setting, LCD Setting, Clock Setting, WiFi Setting, and Bluetooth Setting

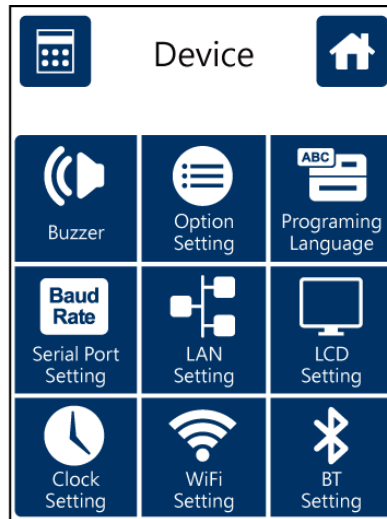
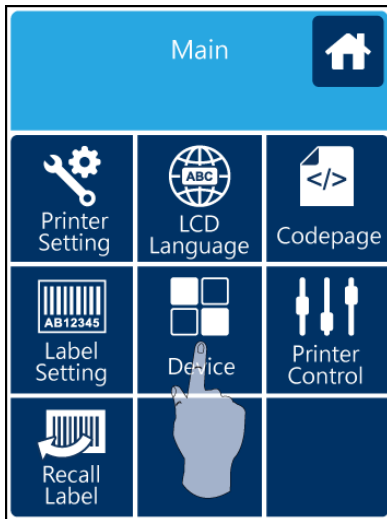


Self-Diagnose functions for printer, ex. Calibration, Self-Test page and Clear Memory



Recall Label and preview label

Device Page



Setting off or on for buzzer



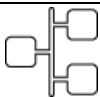
Setting items for options, ex. Cutter, Label Dispenser, Applicator



Setting Programming Language. Auto/EZPL/GEPL/GZPL/GDPL



Setting items for Serial Port, ex. Baud Rate, Parity, Data Bits, Stop Bits.



Setting items for LAN, ex. DHCP, IP Address, Subnet Mask, Gateway








Setting items for LCD, ex. off or on for Password function, Correction

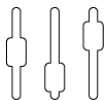


Setting items for Clock, ex. Year, Month, Day, Hour, Minute and off or on for Visible function

Setting Items in LCD Setting Mode

	Printer Settings	Darkness	0-19	
		Speed	2-3	
		Sensor Select	Auto Select	
			See-Through	
		Media Type	Reflective	
			Label with Gaps	
			Label with Marks	
		Printing Mode	Continuous	
			Direct Thermal	
		Tear-off Position	Thermal Transfer	
Top of Form	0-40			
	OFF			
	LCD Language	FULL		
		Door Open Only		
		English		
		Deutsch		
		Français		
		Español		
		Italiano		
		簡體中文		
		繁體中文		
		Türkçe		
日本語				
	Code Page	Русский		
		850		
		852		
		437		
		860		
		863		
		865		
		857		
		861		
		862		
		855		
		866		
		737		
		851		
		869		
		Windows 1252		
		Windows 1250		
Windows 1251				
Windows 1253				
Windows 1254				
Windows 1255				
Windows 1257				
	Label Settings	Rotation	0°、90°、180°、270°	
		X-Offset	-100~+100	
		Y-Offset	-100~+100	
		Start Offset	-100~+100	
		Buzzer	OFF/ON	
	Devices	Option Setting	None / Cutter / Label Dispenser/ Applicator	
		Programing Language	Auto/EZPL/GEPL/GZPL/GDPL	
		Serial Port Setting	Baud Rate	4800
			9600	
			19200	
38400				
57600				

		115200
		None
	Parity	Odd
		Even
	Data Bits	7
		8
	Stop Bits	1
		2
LAN Setting	DHCP	OFF/ ON
	IP Address	0.0.0.0
	Subnet Mask	255.255.255.0
	Gateway	192.168.0.254
LCD Setting	Password	OFF / ON
		Correction
Clock Setting	Visible	OFF / ON
		Y/M/D/H/Min.
Test	Configuration	
	Directory	
	TPH Testing	
	Dump Mode	
Sample Pattern		Self-test page / Balance
Select Memory		內部/外部
Clear Memory	Label Format	
	Graphic	
	Bitmap Fonts	
	Ture Type Fonts	
	Asian Fonts	
	ALL	
Calibration		
Reset to Default		



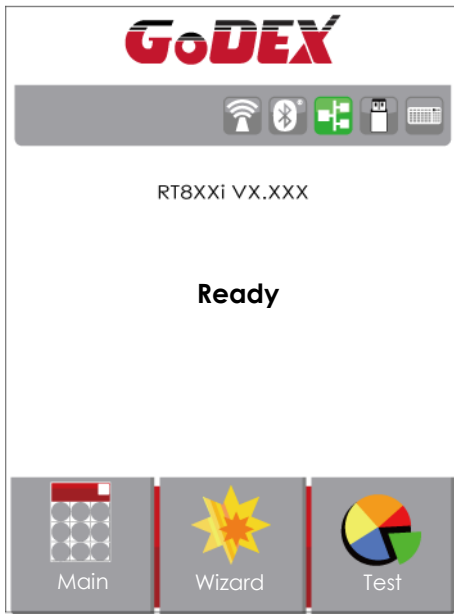
Printer Control



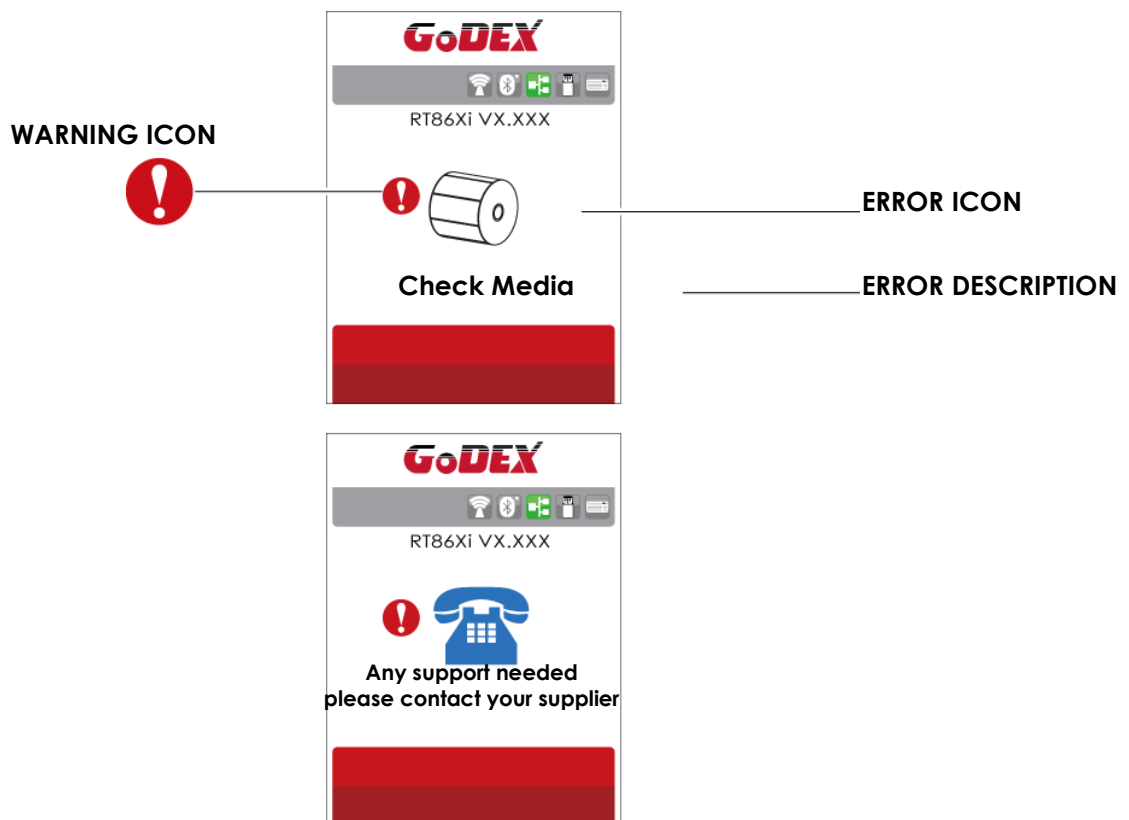
呼叫標籤

Status of LCD Interface

When printer is on standby status (ready to print), the LCD interface will display "Ready" on screen. You can only print when you see the "Ready" status.



If there is any printers error, the LCD screen will display the error screen to show the type of error. You can fix the error according the notice or contact the supplier.



3.4 Label Calibration and Self Test

Label Calibration

The printer can automatically detect and store label height.

That means the host computer does not need to transmit the label height to the printer.

Self Test

Self-test function lets you check whether the printer is functioning normally.

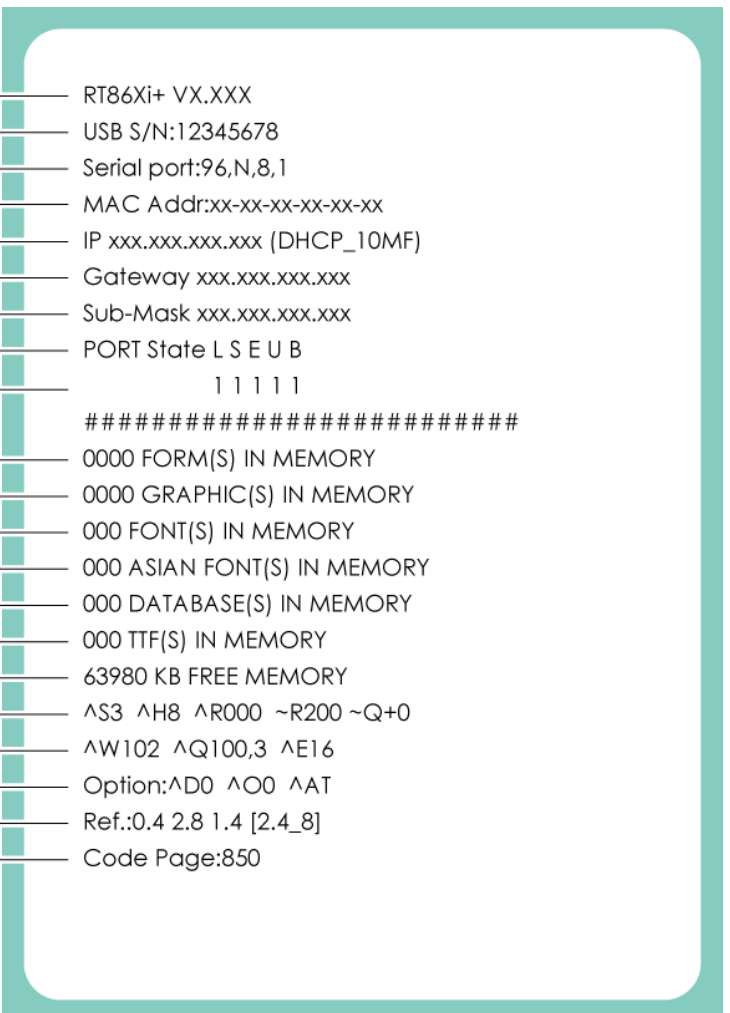
Here is how you run the label size calibration and self test.

1. Check that the label stock is loaded correctly.
2. Turn off the printer and pressing the FEED button.
3. Turn the printer on again, keeping the FEED button pressed. When the printer beeps 3 times, release the FEED button.

The printer will now measure the label stock and store the label height.

4. Once the printer has successfully measured the label stock, it will print a self-test label.

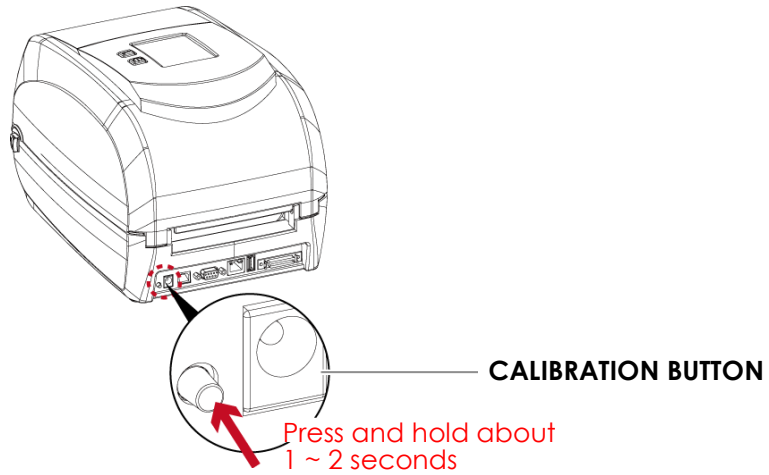
The contents of a self-test printout are listed below. :



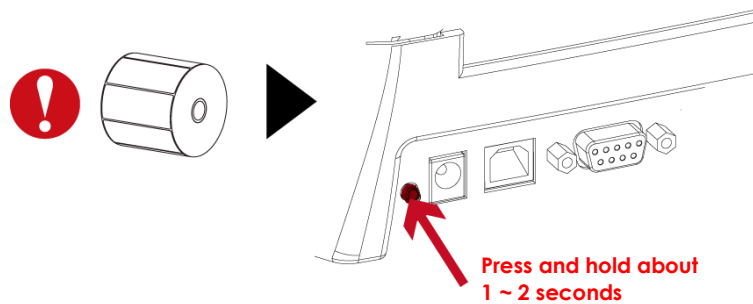
Model & Version	RT86Xi+ VX.XXX
USB ID setting	USB S/N:12345678
Serial port setting	Serial port:96,N,8,1
MAC address of Ethernet port	MAC Addr:xx-xx-xx-xx-xx-xx
IP address setting	IP xxx.xxx.xxx.xxx (DHCP_10MF)
Gateway setting	Gateway xxx.xxx.xxx.xxx
Sub-Mask setting	Sub-Mask xxx.xxx.xxx.xxx
Port status	PORT State L S E U B
(The default value is 1, which means that all ports open)	1 1 1 1 1
	#####
Number of forms	0000 FORM(S) IN MEMORY
Number of graphics	0000 GRAPHIC(S) IN MEMORY
Number of fonts	000 FONT(S) IN MEMORY
Number of Asian fonts	000 ASIAN FONT(S) IN MEMORY
Number of Databases	000 DATABASE(S) IN MEMORY
Number of Scalable fonts	000 TTF(S) IN MEMORY
Free memory size	63980 KB FREE MEMORY
Speed, Density, Ref. Point, Print direction	^S3 ^H8 ^R000 ~R200 ~Q+0
Label width, Form length, Stop position	^W102 ^Q100,3 ^E16
Cutter, Label Dispenser, Mode	Option:^D0 ^O0 ^AT
Sensor Setting	Ref.:0.4 2.8 1.4 [2.4_8]
Code Page	Code Page:850

Label Calibration Button

A hardware button to make a Label Calibration while printer encountering "Media Error" during the cases when first-time printer start up or change label to another type, such as change using gap label to continuous or black mark labels.



Press Calibration button for 1 ~ 2 seconds, it will make an auto-sensing to calibrate the label's parameters.










Note

* Press Calibration button is equivalent to the auto-sensing command "'~S,SENSOR'" that will cancel on-printing-job and make the Label Calibration immediately.

3.5 Error Alerts

In the event of a problem that prevents normal functioning of the printer, you will see an error message on LCD screen and hear some beep signals. Please refer to below table for the error alerts.

Operation Panel Status	Type	Beeps	Description	Solution
	Door Open Only	2 x 4 beeps	The printing mechanism is not correctly closed.	Open the print mechanism and close it again.
	TPH Over Heat	None	High temperature at the print head.	Once the print head has cooled down, the printer switches to standby mode.
	Media Error	2 x 3 beeps	No ribbon is installed and the printer displays an error.	Make sure that the printer is set to direct thermal printing mode.
			The ribbon is finished or the label supply hub is not moving.	Replace the ribbon roll.
	Media Error	2 x 2 beeps	No paper is detected.	Make sure that the label sensor is positioned correctly. If the sensor still does not detect the paper, run the auto-detection function again.
			Paper is finished.	Replace the label roll.
			Printer feed problem.	Possible reasons: the print medium has become trapped around the rubber roll; the sensor cannot detect a gap or black mark between the labels; there is no paper. Please reset the sensor.

  Memory full	File Error	2 x 2 beeps	The memory is full. The printer prints the message "File System full".	Delete unnecessary data or install additional memory.
  File name can't be found			Unable to find file. The printer prints the message "File not found"	Use the "~X4" command to print all files. Then check whether the files exist and whether the names are correct.
  File name duplicated			A file of the same name already exists. The printer prints the message "Duplicated Name".	Change the name of the file and try storing it again.

3.6 USB Host

Definition : USB Host port supports either device : USB memory stick, USB keyboard or scanner.

Purpose :

USB memory stick : It extends the user memory space for Graphic, Font, Label Format, DBF and Command files downloading. The printer's Firmware also can be updating if copy new version of Firmware into USB memory stick.

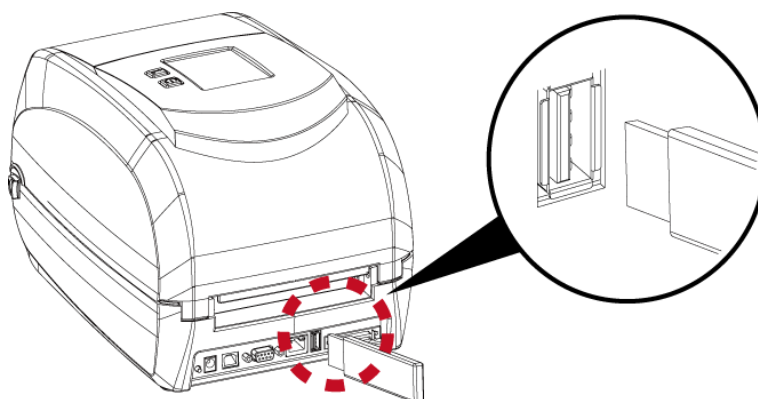
Connecting an USB keyboard to printer for "Keyboard Mode" mode operation.

Plug-in an USB scanner to operate the printer in "Keyboard Mode".

Usage of Extended Memory :

USB memory stick : It supports hot-plugging function; printer will create a Folder "\\LABELDIR" and switch User Flash" to " Extended Memory" automatically while user plugs an USB memory stick into a GoDEX printer.

Connect USB with the printer; To connect PC and printer through USB.



Usage of Firmware Update

Remove USB memory stick from printer and plug-in it to a PC's USB port.

Copy a new version of Firmware "xxx.bin" to the Folder "\\LABELDIR\FW"

Remove USB from PC and plug-in back to the printer. The printer will update the Firmware automatically

The "\\ LABELDIR \ FW" directory allows only one file exists, if there are multiple files, the files will be confused.

Don't remove the USB memory stick out while it's under updating with "Flash Writing.." message that displays on LCD panel.

USB Keyboard

- = When plug-in an USB keyboard to the printer, LCD touch panel will display "Enter Standalone", press the "Y" key on keyboard to entering "Keyboard Mode" operation. Under this model can perform "Recall Label", set "Country Code", "Code Page", "Clock Setting", "Database Setting" and "Label Edit".
- = Connect a USB keyboard to the printer, if not into the keyboard mode, press the "N" key to leave. Into Standalone mode of operation, to leave the Standalone operation, press "ESC" key to exit.
- = After leaving the keyboard mode, for re-entry, press the keyboard "F1" key or reboot, you can follow the steps in the first step choose whether or not (Y / N) into the keyboard mode.

Scanner

- = When plug-in an USB scanner to the printer, LCD touch panel will display "Enter Standalone", tap the Feed" Key to entering "Keyboard Mode" operation.

Note

- * The USB Host port on printer is not support "USB HUB" function.
- * The USB Memory Stick supports with "FAT32" Disk Format and up to 32GB only. The certified venders are Transcend, Apacer, ADATA, Patriot, Consair and Kingston.
- * The USB Memory Stick only supports download through the printer, On a PC, user may copy entire folder "\LABELDIR" from USB memory stick to PC or vice-versa. Can not copy the data to USB Memory Stick via PC individually.
- * External USB Host port is for power 500mA, is not recommended as electronics charging use.

3.7 Dump Mode Begin

For make sure provide us correct information for check what commands sent from the PC or software, please following below steps,

STEP 1, Let the printer enter Dump Mode

Here is how you switch to dump mode:

On the Ready Page, three function mode for setting. You can make various setting functions in FUNCTIONAL MODE.

1. Tap "Main " on LCD menu
2. Tap " Printer Control "
3. It will show Printer Control setting items such as Configuration---->Directory---->TPH Testing---->Dump Mode

Please select to Dump Mode.

STEP 2. Make sure pinter ready for print a label

STEP 3. Send a label or commands which met problem to the printer

STEP 4. Printer will print out a label with letters and numbers, please take a picture on them and send us by email.

To cancel (get out of) the Dump Mode, please press the FEED key, and then the printer will automatically print "OUT OF DUMP MODE." This indicates that the printer is back to the standby mode.

4 NetSetting for Ethernet

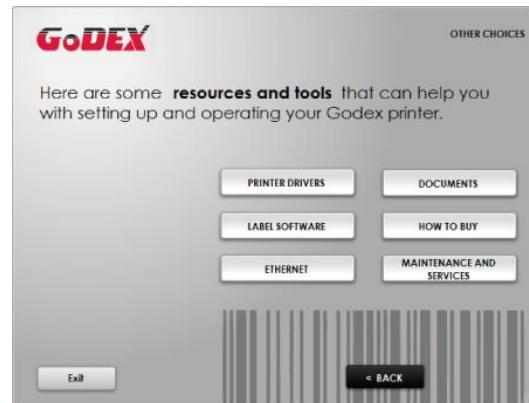
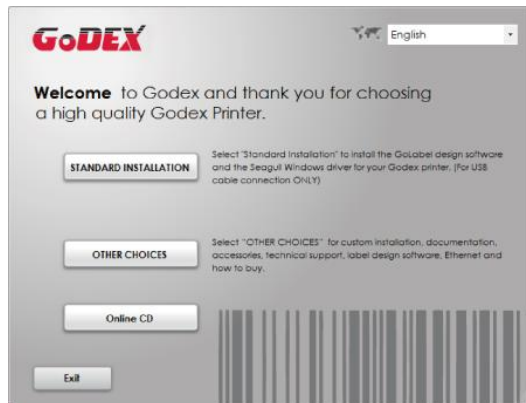
4.1 Installing the NetSetting software

The NetSetting software is used to manage the network configurations when connecting the printer via Ethernet port.

It is available on product CD or can be downloaded from official website. To install the NetSetting, please follow

below steps.

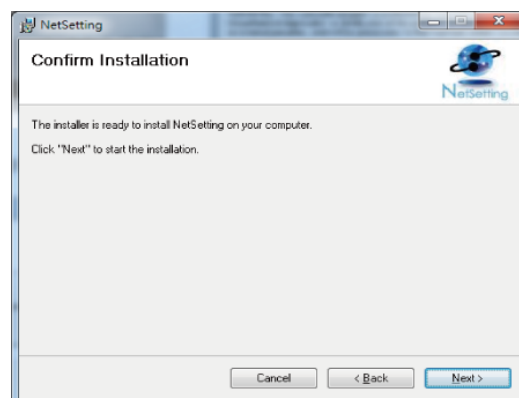
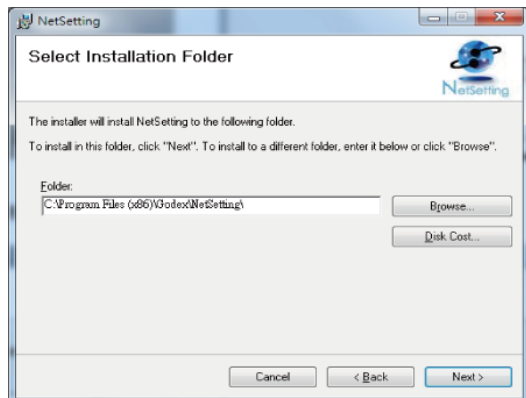
1. Insert the product CD in the CD/DVD drive, and click "OTHER CHOICES" button.
2. Select "ETHERNET".



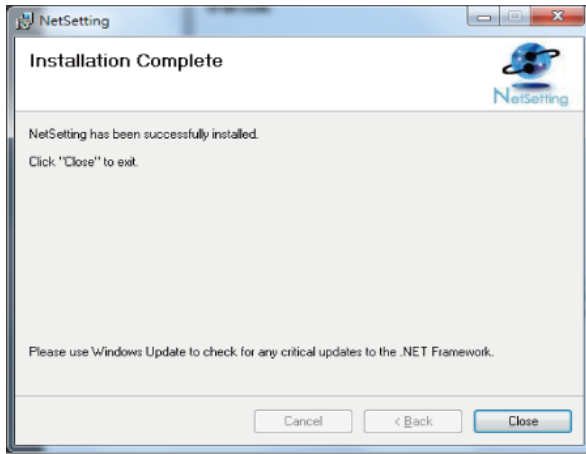
3. Click "Install Ethernet NetSetting Software", installation screen as right diagram, click "Next".



4. Specify the "Installation Folder", then click "Next" to installing.



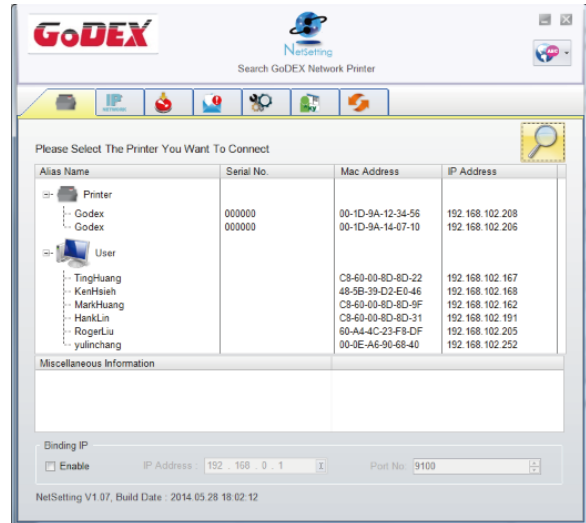
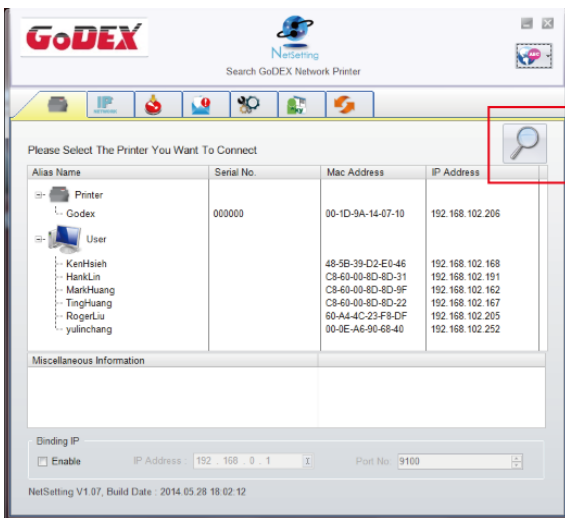
5. Once the installation is completed, you will see the NetSetting icon on your desktop as right diagram.



4.2 The Interface of NetSetting

GoDEX printer can also be used through a network connection (as a remote network printer), make sure the printer connected to the Internet and the power cord, you can use the Interface of NetSetting to search connected network printers.

1. Click the NetSetting icon to start the program, you will see the start page as left diagram. Click the magnifier icon to search the Godex printers which are connected via Ethernet port in you network environment (as right diagram).



2. There are six tabs on the top of interface which can configure different types of network settings. But for the data security reason, you need correct password to enter the configuration pages.

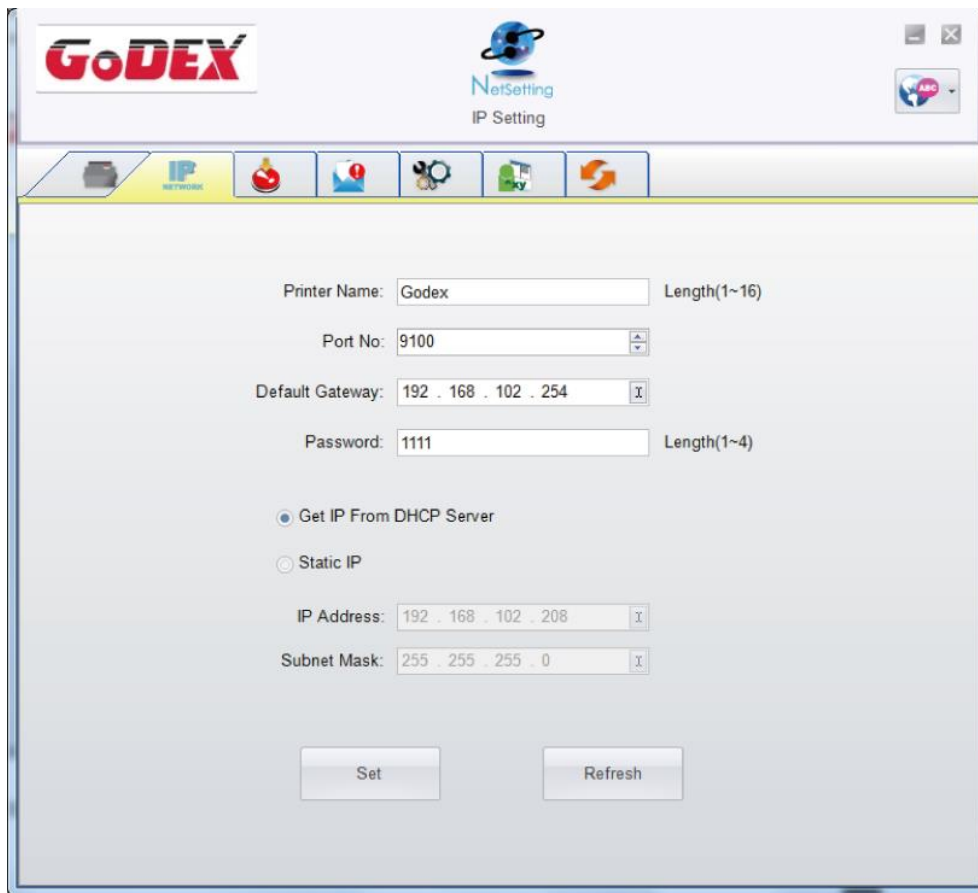


Note

* The default password is "1111", you can change the password later from the "IP Setting" tab.

IP Setting

The IP Setting tab can change the printer name, Port number, Gateway setting and the password for configuring the printer. You can also set the printer's IP address either by DHCP or by Static IP.



The screenshot shows the 'IP Setting' window in the Godex NetSetting application. The window title bar includes the Godex logo, the NetSetting logo, and the text 'IP Setting'. Below the title bar is a navigation bar with icons for printer, network, home, mail, settings, and refresh. The main content area contains the following fields and options:

- Printer Name: Length(1~16)
- Port No:
- Default Gateway:
- Password: Length(1~4)
- Get IP From DHCP Server
- Static IP
- IP Address:
- Subnet Mask:

At the bottom of the window are two buttons: 'Set' and 'Refresh'.

You can press "Set" button to apply the settings and "ReGet" button to refresh the setting values.

Alert Path Setting

NetSetting will send the alert messages to designated mail account when the error happened on printer. The alert messages are sent by SMTP (Simple Mail Transfer Protocol) or SNMP (Simple Network Management Protocol).

You can set or change the configurations of SMTP and SNMP on this "Alert Path Setting" tab.

GoDEX NetSetting
Alert Mail Setting

Enable SMTP Alert Message Notification

Login Account: default Length(1~64)
Login Password: ***** Length(1~16)
Server IP Address: 192 . 168 . 0 . 1 xxx.xxx.xxx.xxx
Mail Subject: Barcode printer message Length(1~60)
Mail From Address: default@default.com Length(1~32)
Mail To Address: default@default.com Length(1~32)
Duration Cycle: 1 0 ~ 168 Hours
Event Counter: 5 1 ~ 100

Enable SNMP Alert Message Notification

SNMP Community: public Length(1~16)
SNMP Trap Community: public Length(1~16)
Trap IP Address: 192 . 168 . 0 . 1 xxx.xxx.xxx.xxx

Set Refresh

You can press "Set" button to apply the settings and "ReGet" button to refresh the setting values.

Alert Message Setting

For the alert message notification function, you can decide which error cases need to be sent out to the operator.

Moreover, the alert messages can be set to be sent by SMTP, SNMP or both.



You can press "Set" button to apply the settings and "ReGet" button to refresh the setting values.

Printer Configuration

Set or change the configurations of connected printer. Most of key settings for the printer operation can be done by this setting page.

GoDEX NetSetting
Printer Configuration

Printer Setup

Printer Model	Tear-off Position	Speed	Darkness
RT860i	16	4	10
Dispenser/Applicator	Labels per Cut	Printing Mode	
0 (None)	0	Direct Thermal	

Serial Port Setting

Baud Rate	9600
Parity	None
Data Bits	8
Stop Bits	1

Miscellaneous

LCD Language	English	Sensing Mode	2 - Automatic
Keyboard Country Code	US	Pre-Printing	OFF
Code Page	Code Page 1253	Top Of Form	2 - OFF while Power On
Buzzer	ON		

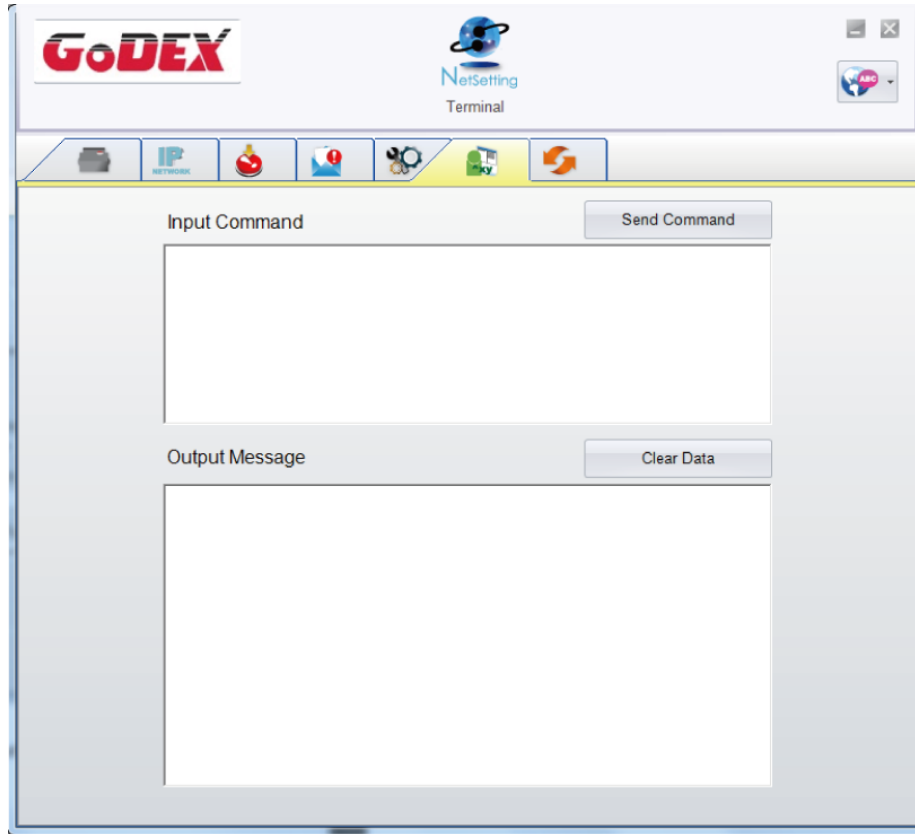
Set Refresh

You can press "Set" button to apply the settings and "ReGet" button to refresh the setting values.

User Command

The "User Command" tab provides a communication interface for operator to control the printer. Input printer commands in "Input Command" window and press "Send Command" button, the commands will be sent to the printer.

For some commands that will return response message, the message will be displayed in "Output Message" window.

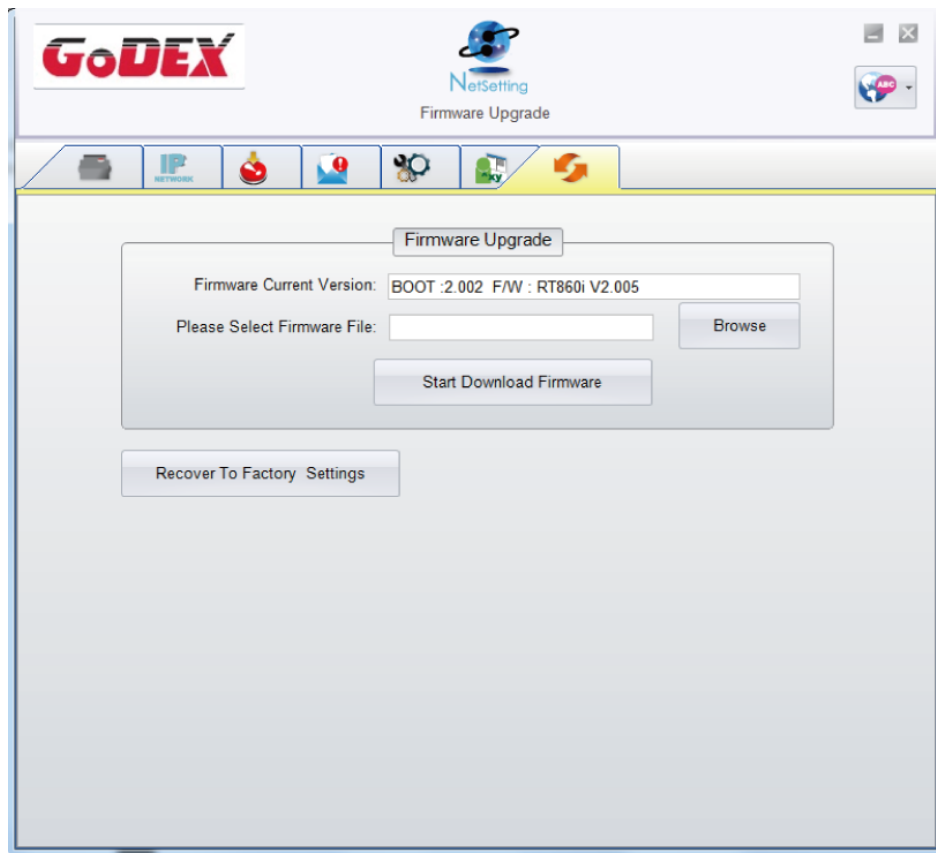


You can press "Send Command" button to send printer commands via Ethernet port and control the printer remotely.

Firmware Download

On "Firmware Download" tab, the current version of printer firmware will be showed on the screen. If you need to update the printer firmware, just specify the file location of firmware file and press "Start Download Firmware"

button. The printer firmware then can be updated remotely.



In addition to the firmware update, you can press "Recover To Factory Settings" button to restore the printer configurations back to factory default.

5 Accessories

5.1 Preparation Steps

Before installing the optional modules, please make some preparations as follows.

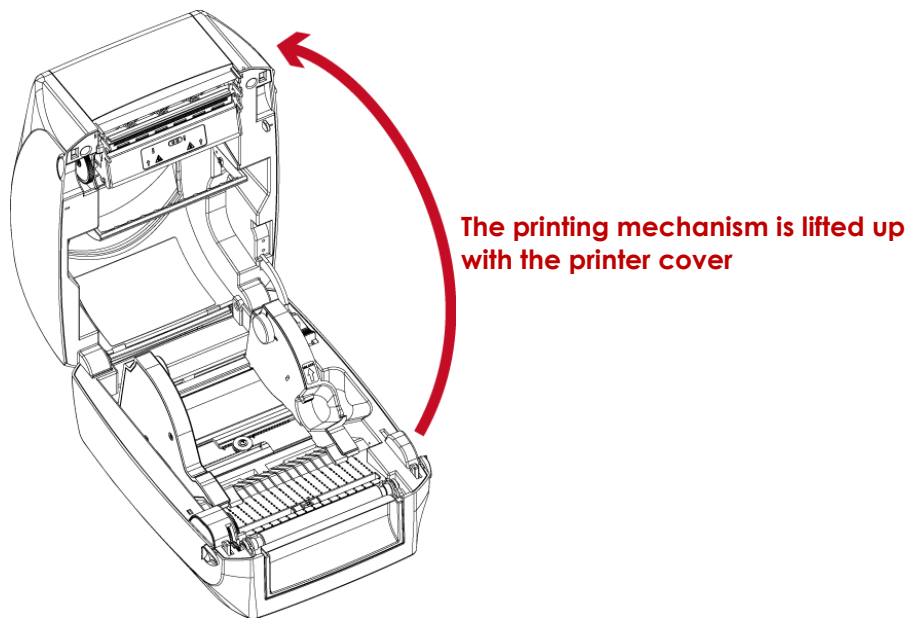
1. Turn off the printer :

Remember to switch off the printer before installing any module.

2. Open the printer cover and the printing mechanism :

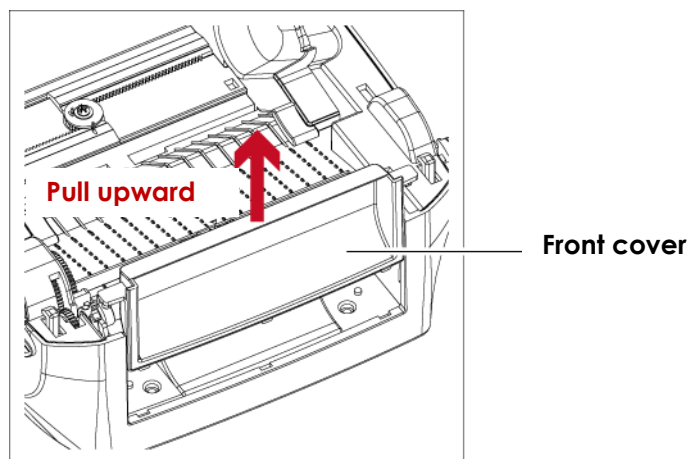
Open the printer cover by pulling the release catches on both sides of the printer and lift the cover.

Please see the Section 2.1 for further information about Open the Printer.



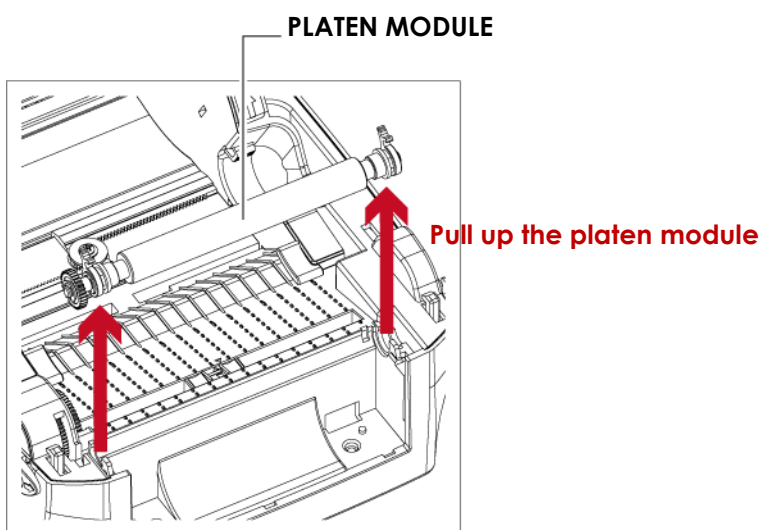
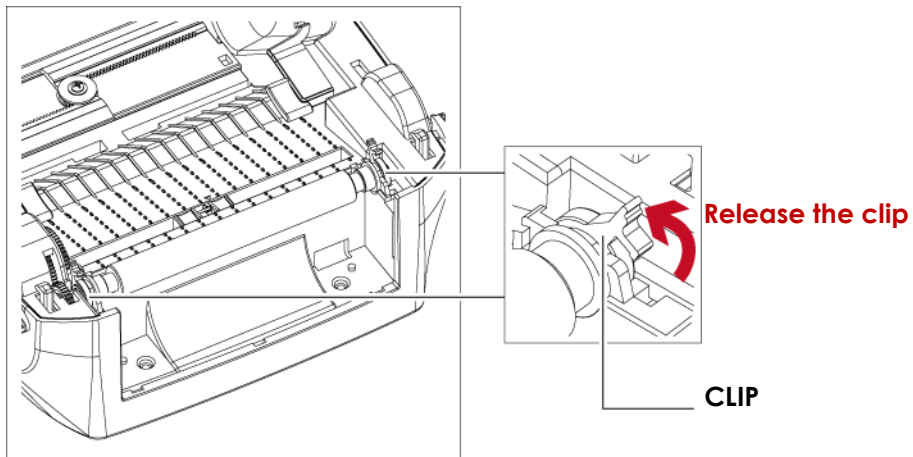
3. Remove the front cover

Please pull upward to remove the front cover.



4. Remove the platen :

Lift up the release clips on both sides of the platen to release and pull upward the platen.



5. **Ribbon loading**

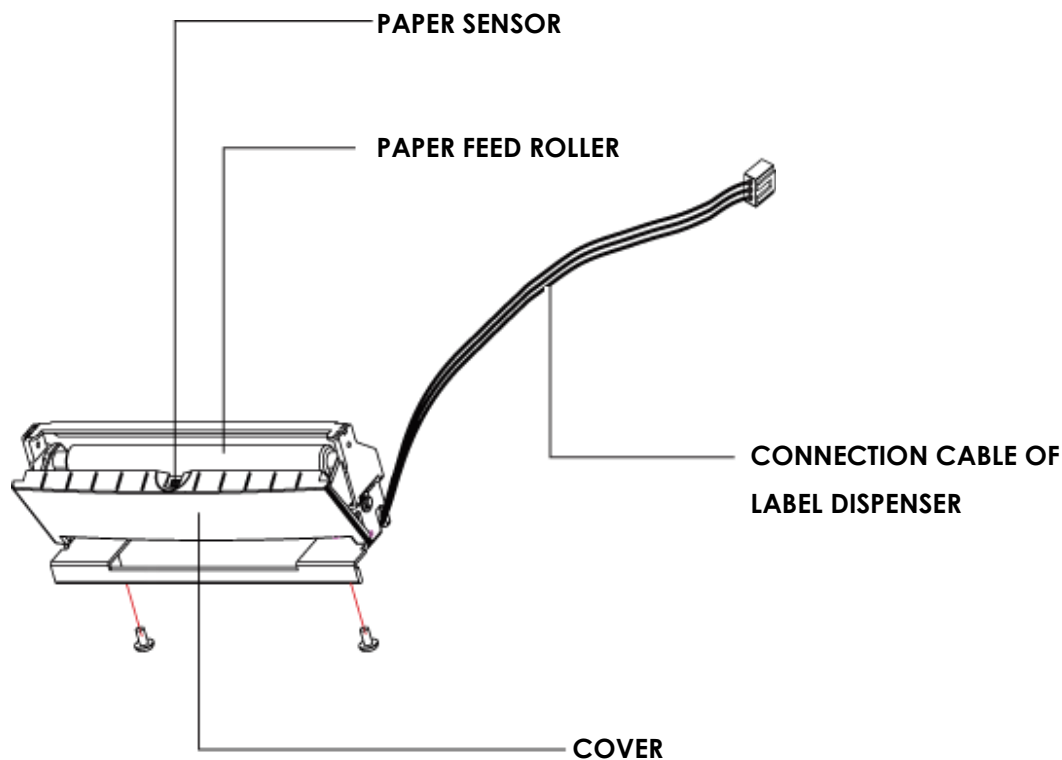
Please see the Section 2.2 for further information about Loading the Ribbon.

6. **Label loading**

Please see the Section 2.3 for further information about Loading the Label Roll Module.

5.2 Installing the Label Dispenser

The Overview of the Label Dispenser

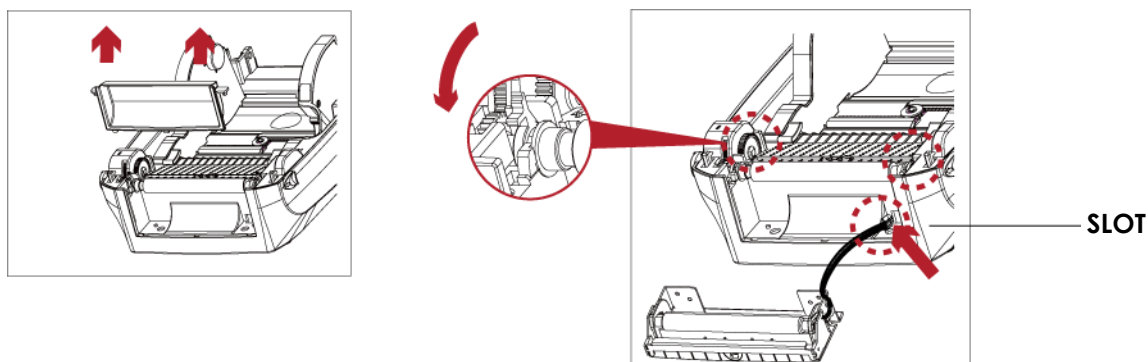


Preparation Steps

Please see the Section 5.1 Preparation Steps to complete the preparation steps before installing the label Dispenser.

Installing the Label Dispenser

1. Removed the front panel.
2. Press the catches on the left and right sides of the platen downwards and then pass the connection cable through the slot of the printer.



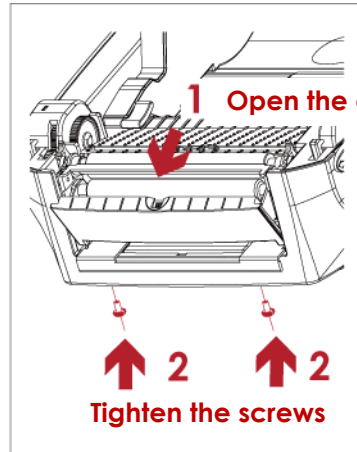
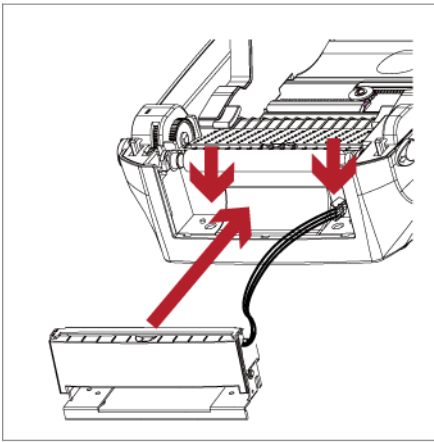
Note

* A label liner thickness of $0.06 \text{ mm} \pm 10\%$ and a weight of $65 \text{ g/m}^2 \pm 6\%$ are recommended.

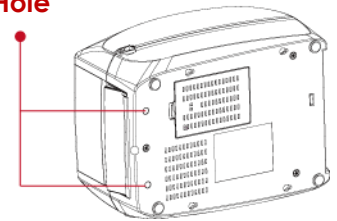
* The label dispenser will take labels up to a max. width of 118 mm.

* When using the label dispenser, set the stop position (printer command ^E) to 13.

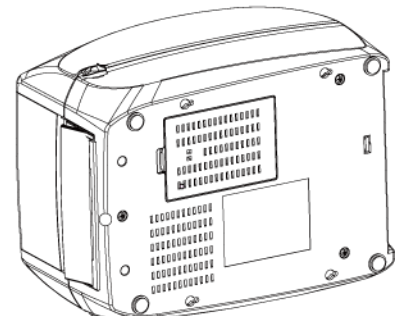
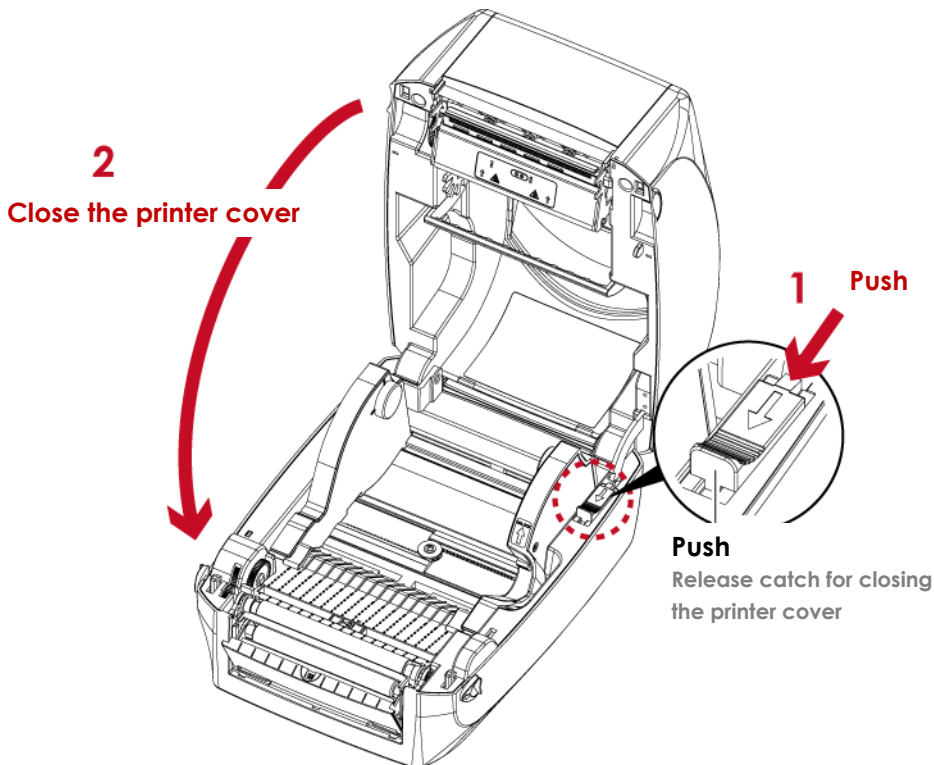
3. Place label dispenser to align both holes of screw.
4. Open the cover of the label dispenser, and then tighten the screws.



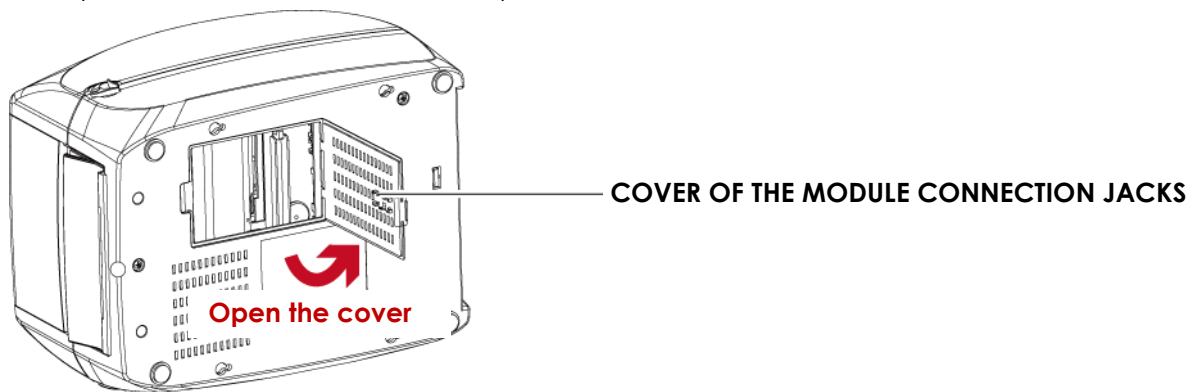
Screw Hole



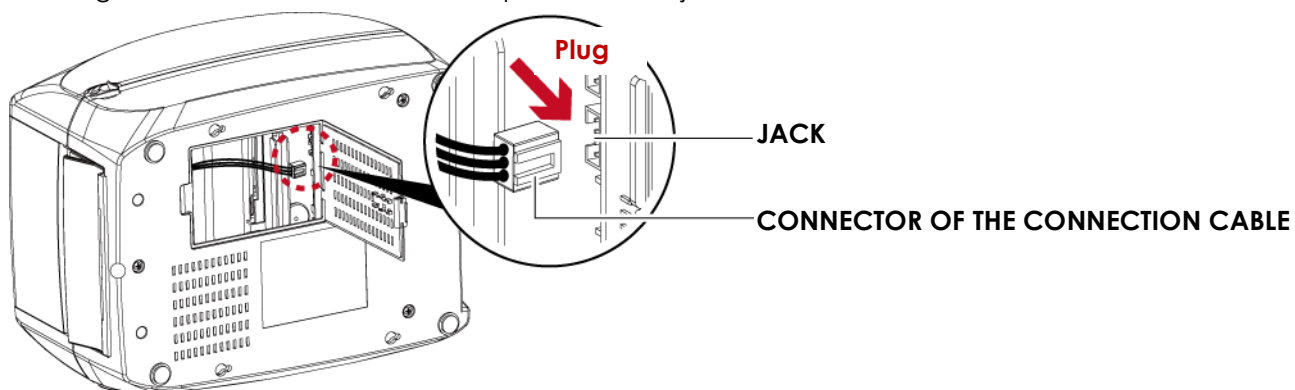
5. Close the printer cover and printing mechanism.
Then to turn the printer upside down.



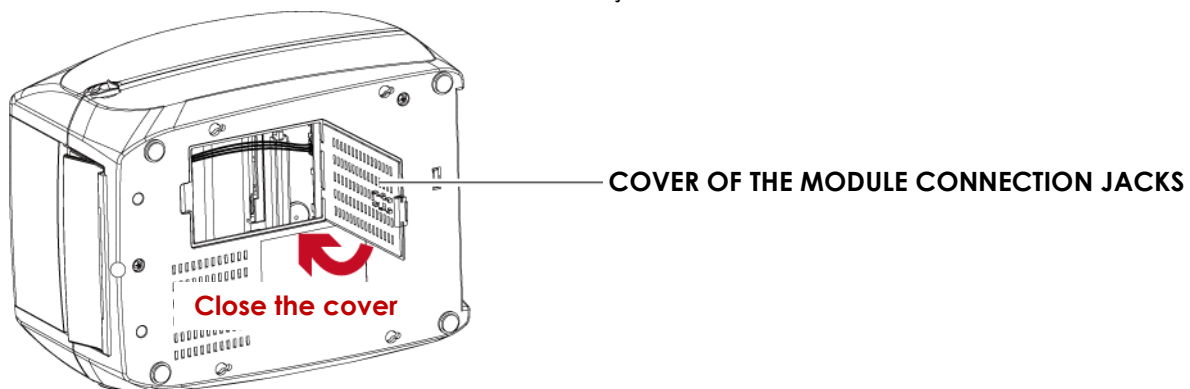
6. Open the cover on the bottom of printer.



7. Plug the connector for the label dispenser to the jack.



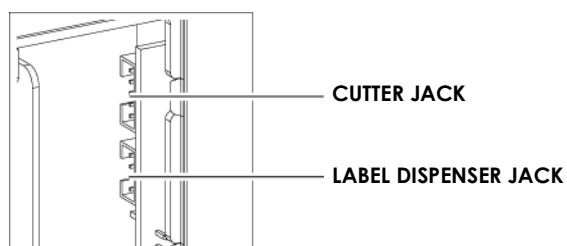
8. Close the cover of the module connection jacks.



Note

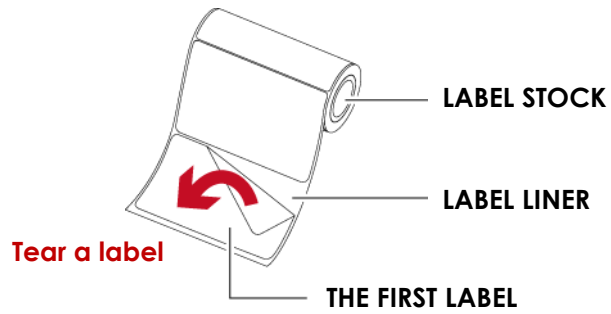
* The printer must be switched off when plugging the connector, or the motherboard may be destroyed!

* There are 2 jacks : the lower jack for the label dispenser, the upper jack for the cutter.

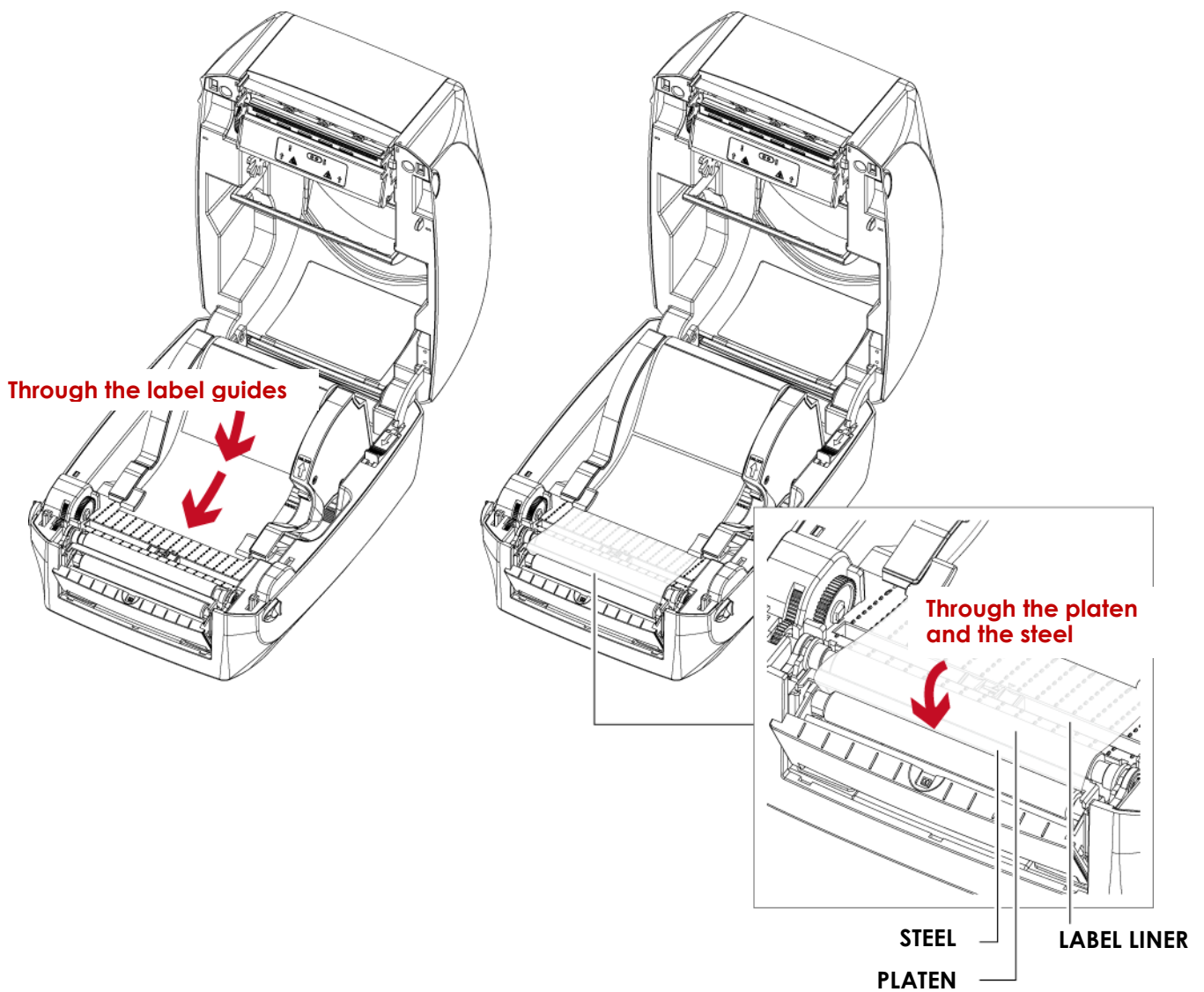


Loading Label Roll with the C Module

1. Remove the first label from the label stock.



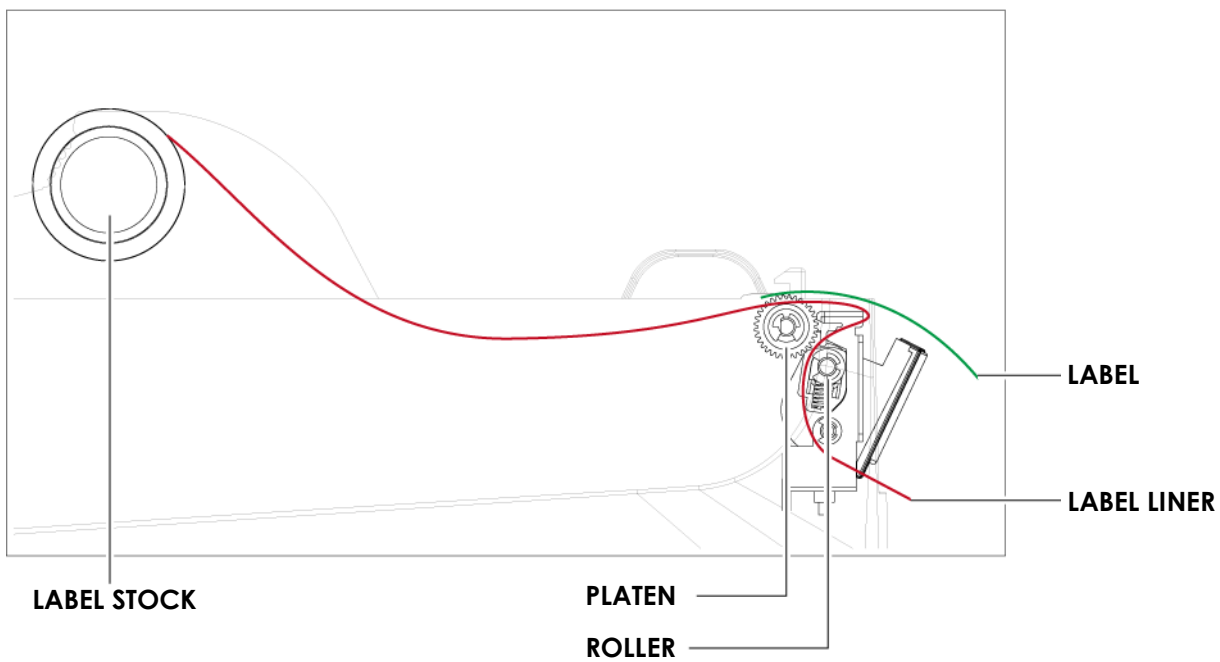
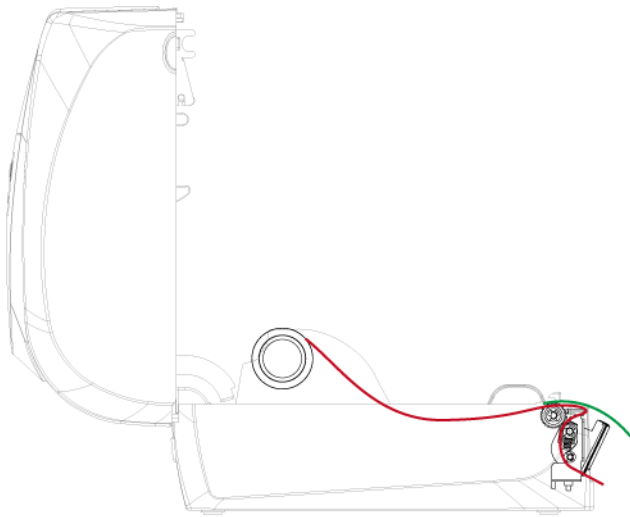
2. Feed the Label stock through the label guides.
And pull the label liner through the platen and the steel of the label dispenser.



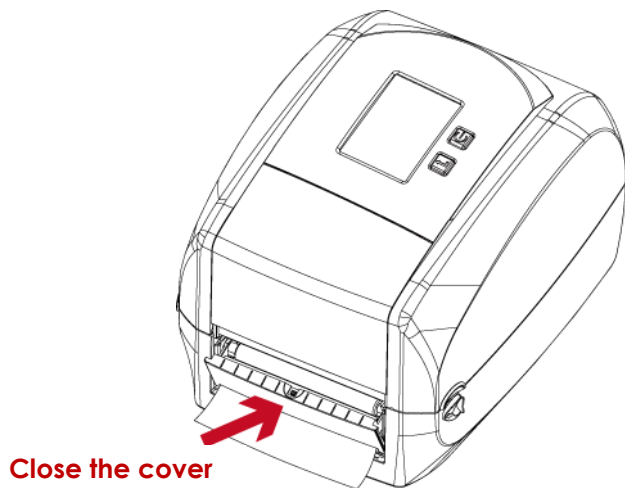
Note

* With Label Dispenser, the labels should be at least 25 mm high.

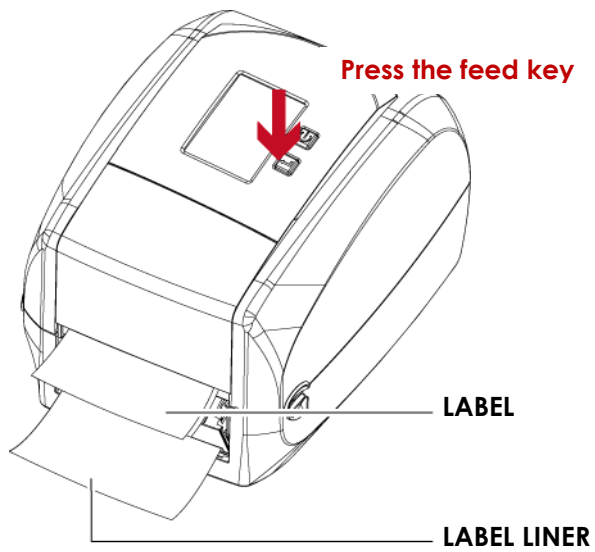
3. The feeding path of label and liner should be as shown in below graphic.



4. Close the label dispenser and printer cover. The installation is completed now.

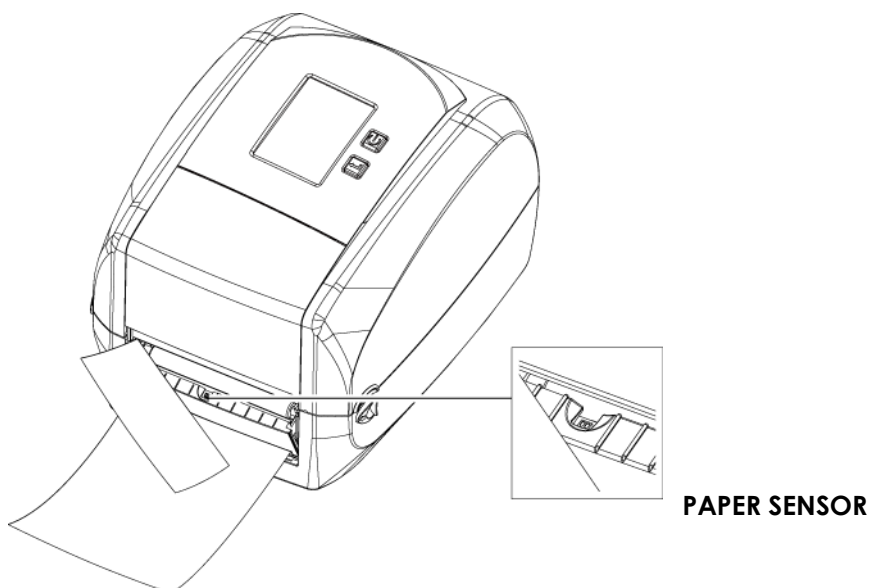


5. Press the FEED button to feed the label. The label will be peeled from the liner while it passes through the label dispenser.



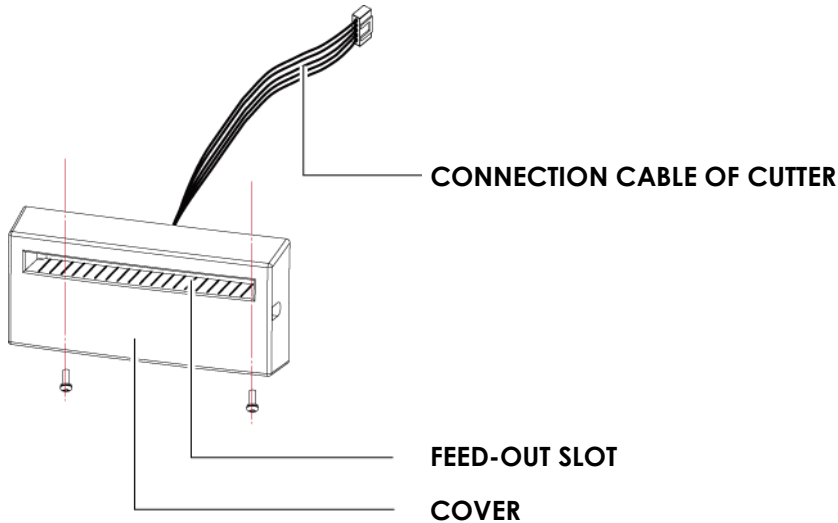
Note

* There is a paper sensor on the Label Dispenser module. It will stop the printing if it is covered by label. Remove the last printed label and the printer will then continue to print next label.



5.3 Installing the Cutter

The Overview of the Cutter

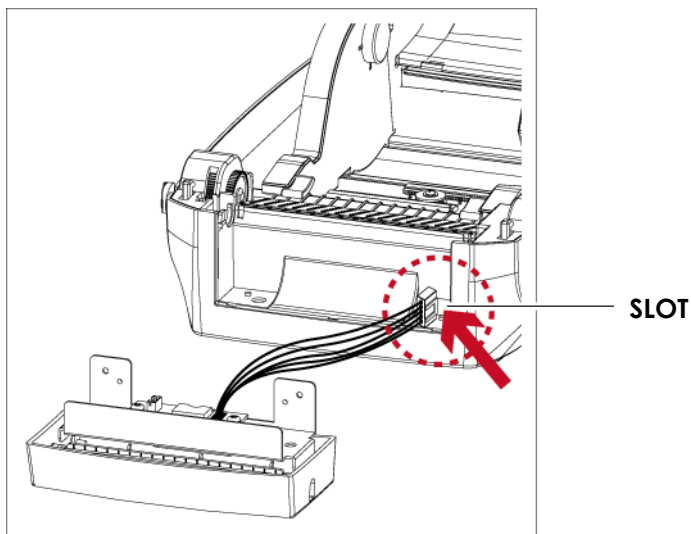


Preparation Steps

Please see the Section 5.1 Preparation Steps to complete the preparation steps before installing the cutter.

Installing the Cutter

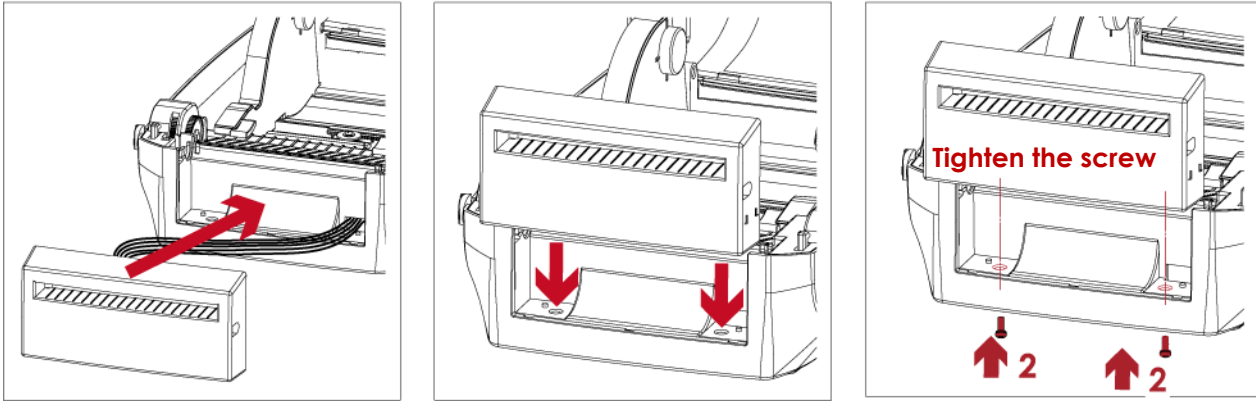
1. Pass the connection cable through the slot of the printer.



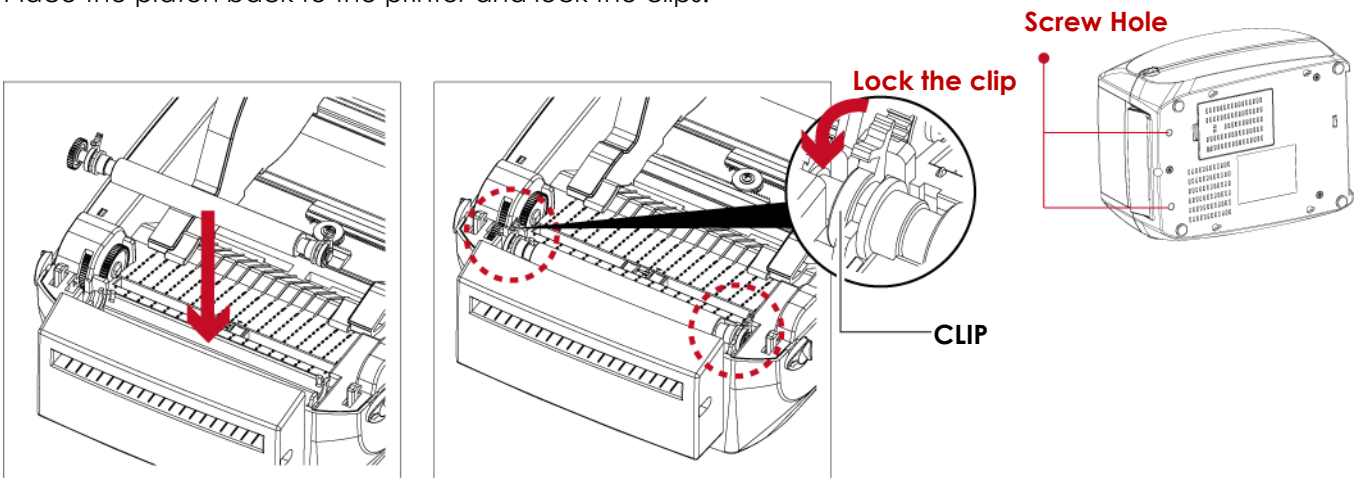
Note

- * Remember to switch off the printer before installing the cutter.
- * Do not use to cut adhesive labels! Glue residue will be left on the cutter blade and impair its functioning. The cutter has a blade life of 400,000 cuts when using paper liner which is 250 μ m thick and 76.2mm (3 inches) wide.
- * You can cut paper with a max. width of 118mm.
- * With the cutter installed, set the stop position in Qlabel to 30, and the E value to 30.

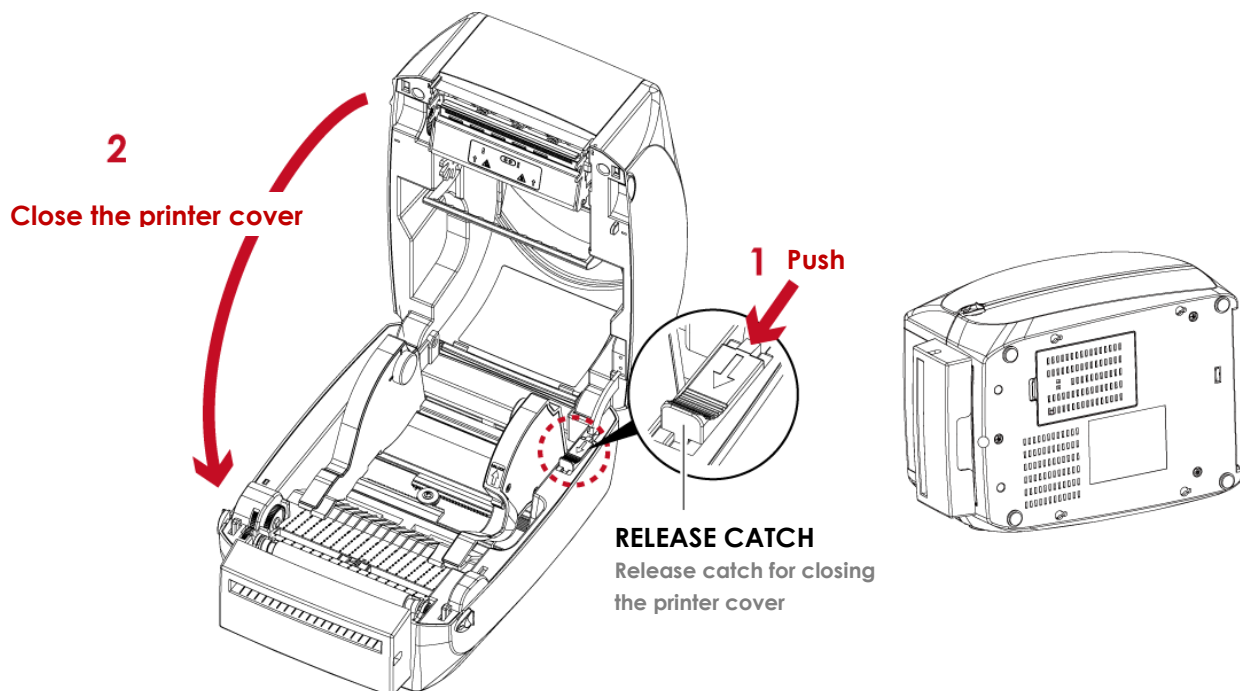
2. Place the cutter to align both holes of screw and then tighten the screws.
(Screw holes on the front side of the bottom barcode Printer)



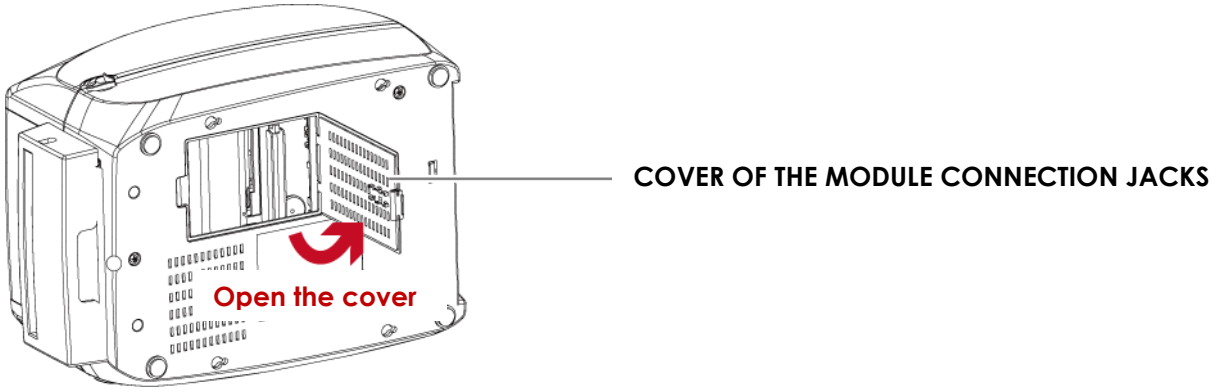
3. Place the platen back to the printer and lock the clips.



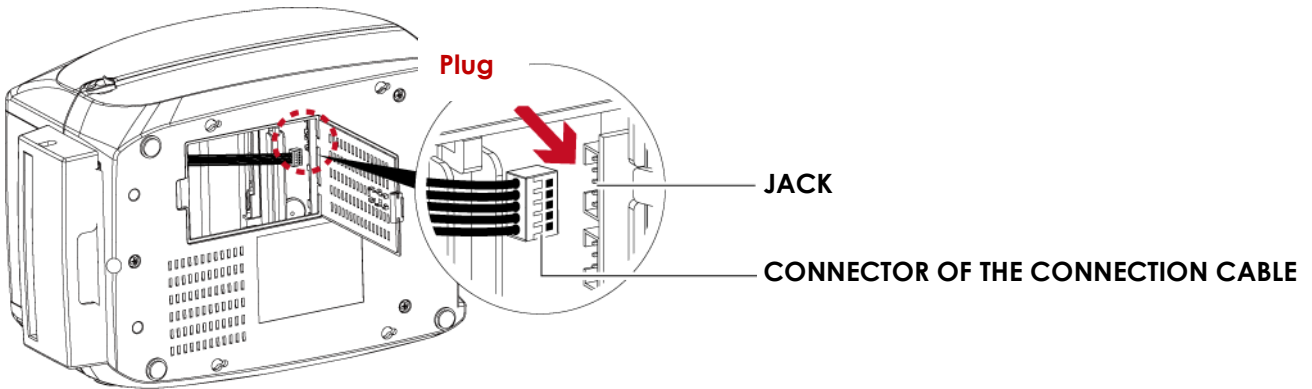
4. Close the printer cover and printing mechanism.
Then to turn the printer upside down.



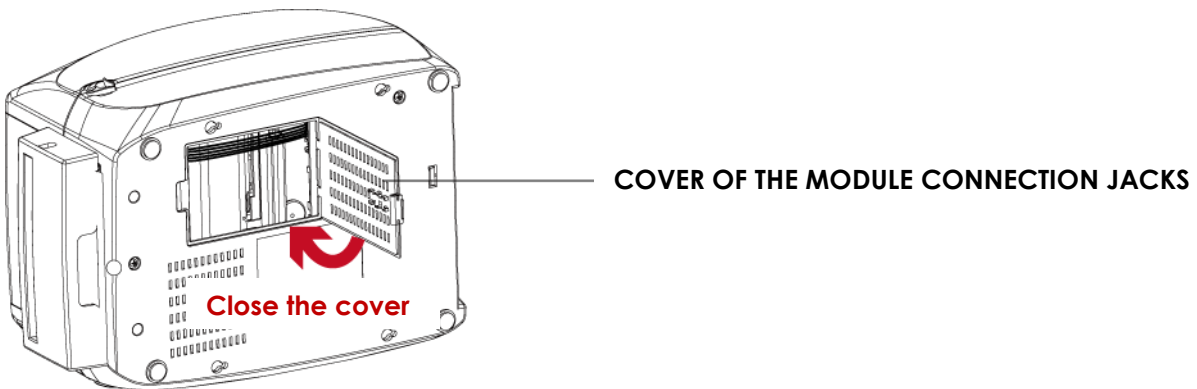
5. Open the cover on the bottom of printer.



6. Plug the connector for the cutter to the jack.



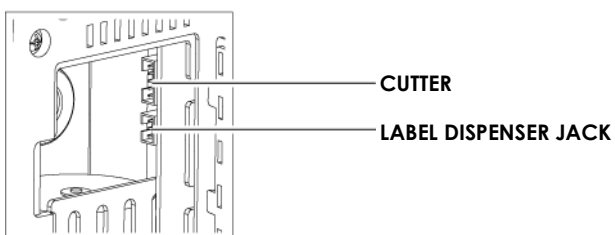
7. Close the cover of the module connection jacks.



Note

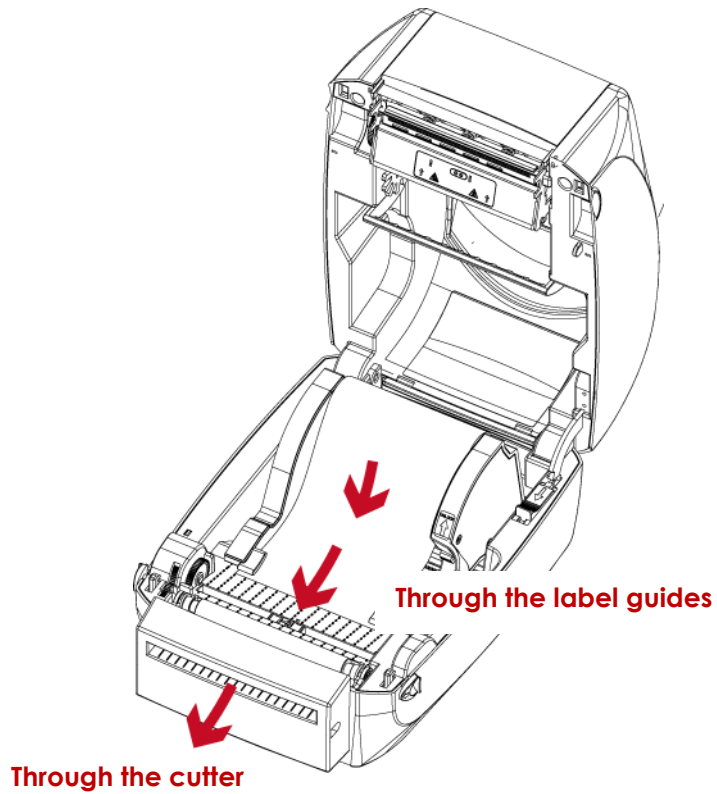
* The printer must be switched off, or the motherboard may be destroyed!

* There are 2 jacks : the lower jack for the label dispenser, the upper jack for the cutter.

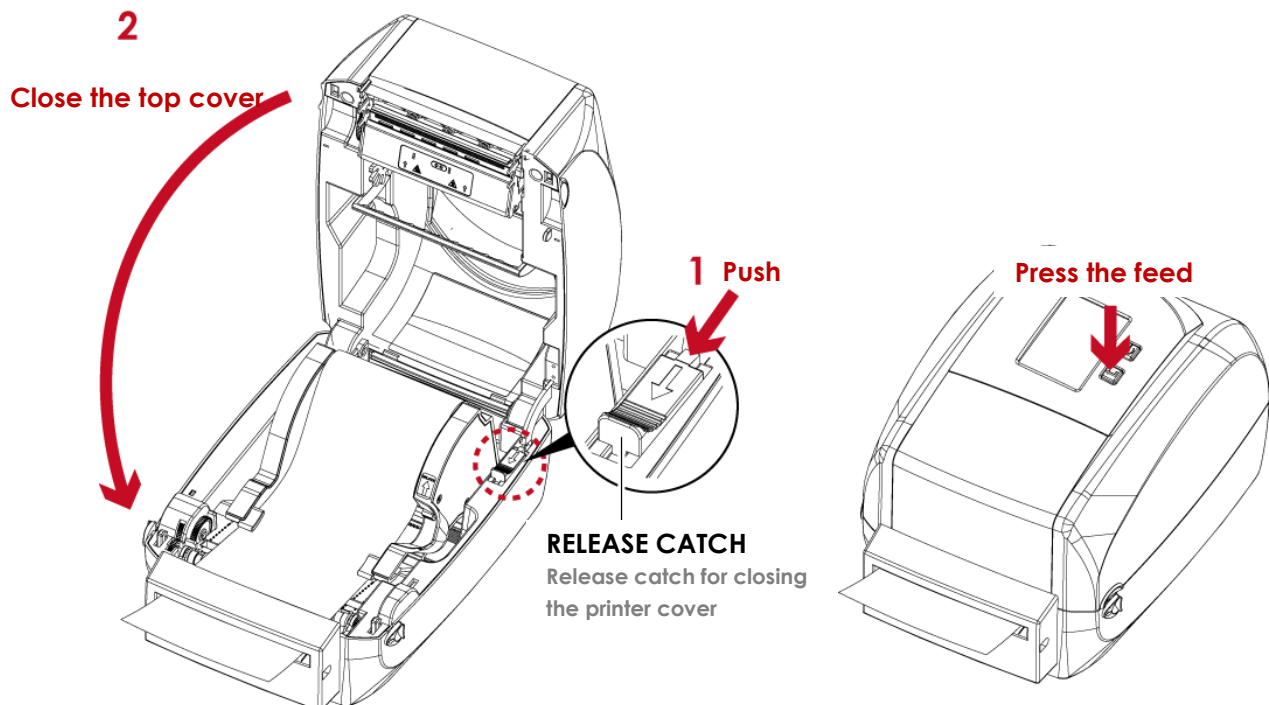


Installing the Label Roll Module on the Printer

1. Pass the labels through the guides and the cutter.



2. Close the top cover and printing mechanism. To finish, press the FEED button to set the label position.



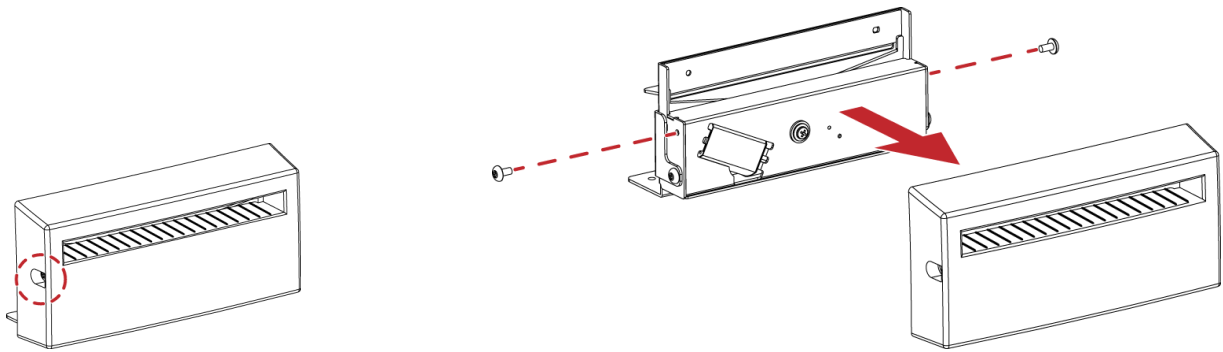
Note

* We advise against using inside wound label stock.

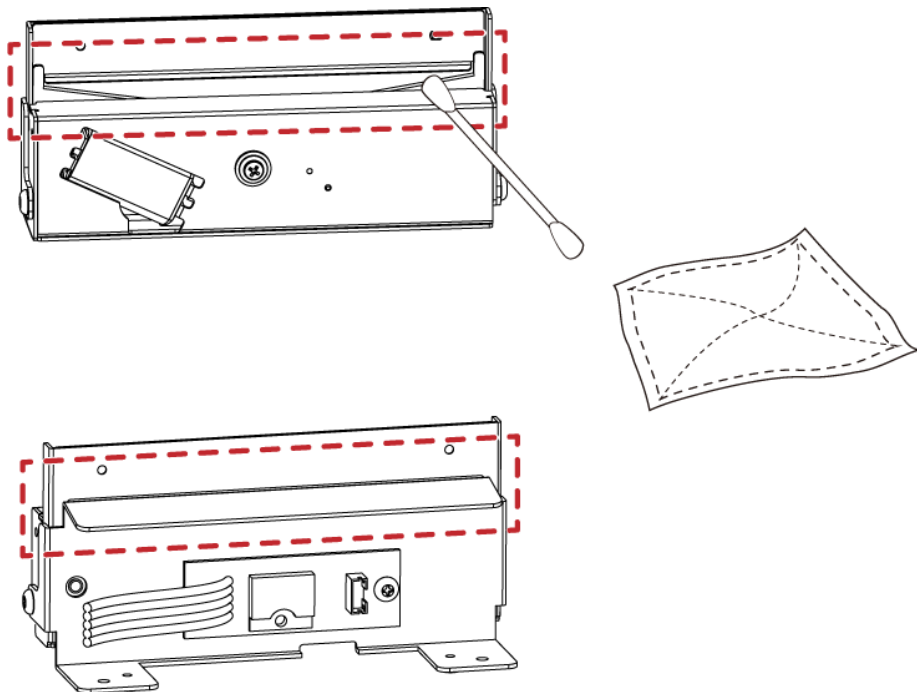
* Labels should be at least 30 mm high. When using the printer with the cutter, you should set the stop position (ΛE) to 30.

5.4 Cleaning Method

1. Remove the screws and cover.

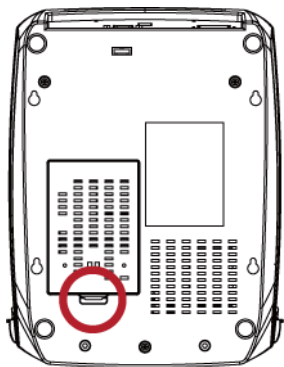


2. Wipe with a cotton swab or dry lint-free cloth



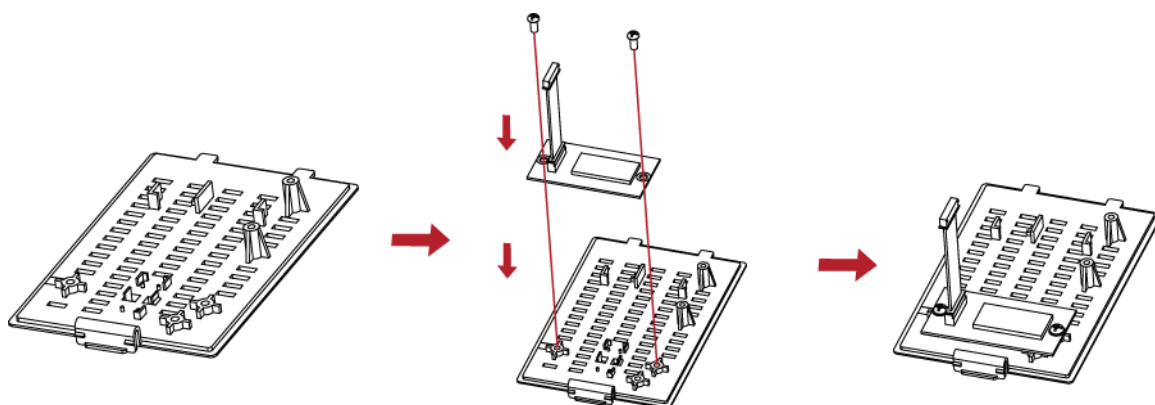
5.5 Installing the bluetooth module (For RT833i · RT863i)

Step 1.

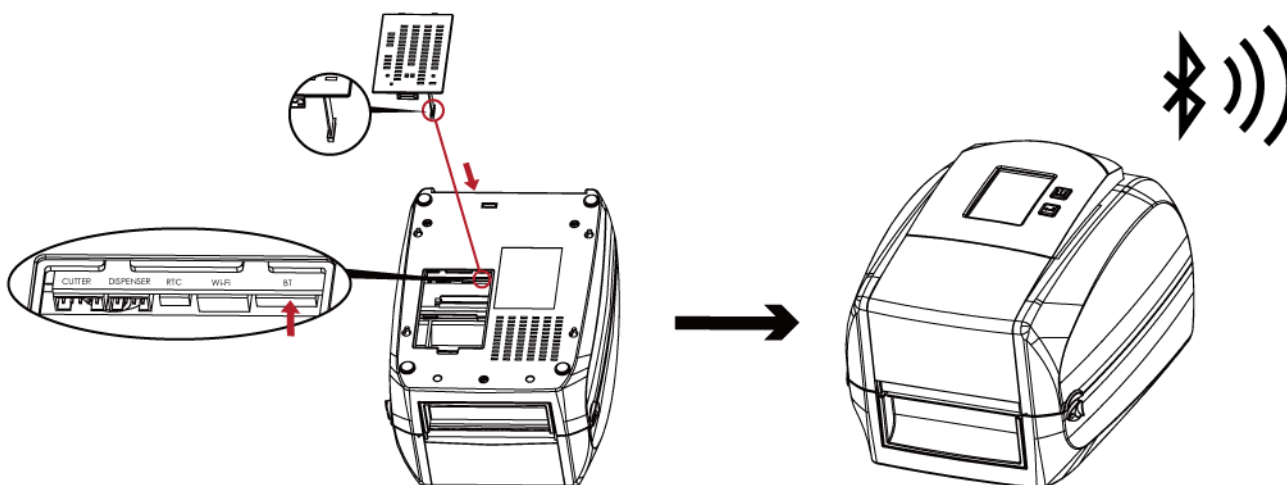


Step 2.

***Bluetooth Module**



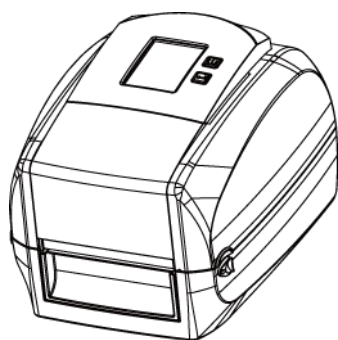
Step 3.



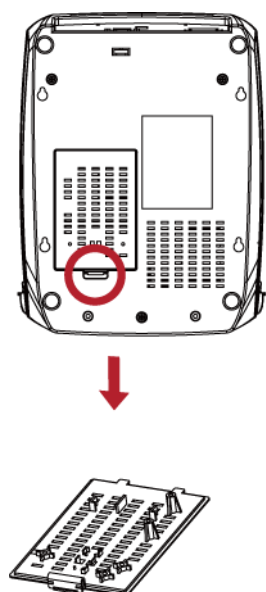
*Note : If the version of BT module is 4.0, after installed the module, please use GoLabel to send the command (\wedge XSET,EXTERNCARDMODE,8) to make sure the BT function works.

However, if you need to switch back to 2.1 version, please send the command (\wedge XSET,EXTERNCARDMODE,255) to ensure the correct functionality.

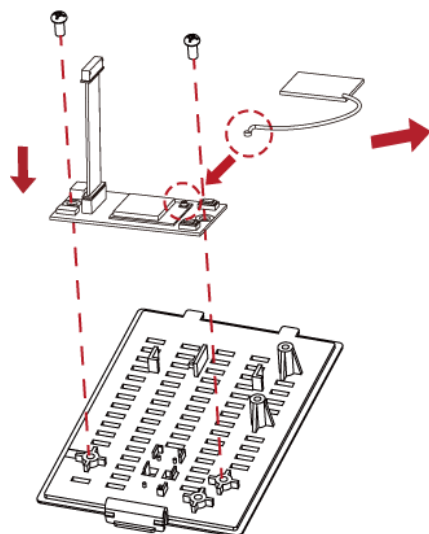
5.6 Installing the WiFi Module (For RT833i/RT863i)



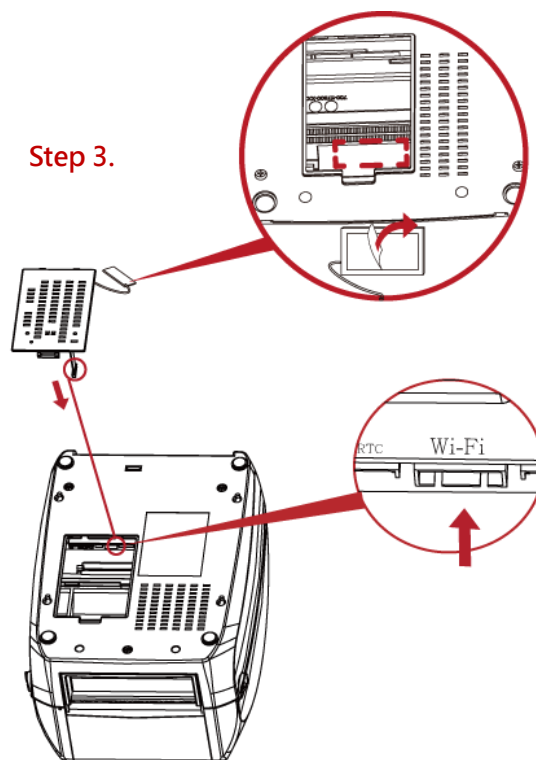
Step 1.



Step 2.



Step 3.



6 Maintenance and Adjustment

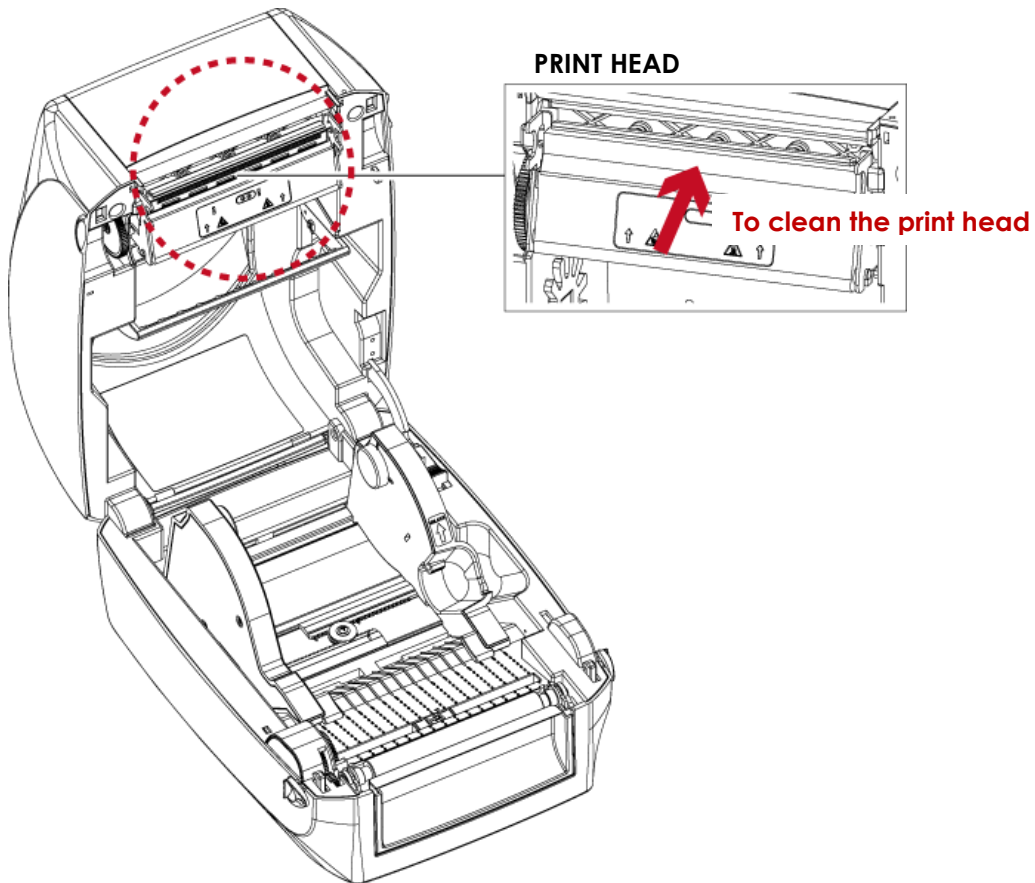
6.1 Cleaning the Print Head

Dirt on the print head or ribbon may result in inadequate print quality (there are only partial images on the label).

The printer cover should therefore be kept closed when possible. Keeping dirt and dust away from the paper or labels ensures a good print quality and a longer lifespan of the print head.

Cleaning Steps

1. Switch off the printer.
2. Open the printer cover.
3. Remove the ribbon.
4. To remove any label residue or other dirt from the print head (see Red arrow), please use a soft lint-free cloth dipped in alcohol to wipe.



Note

* Weekly to clean the print head one time. (Recommended)

* When cleaning the print head, please note that if there is attached to metal or hard on soft cloth, if using a dirty soft cloth made printer head damage is not covered under warranty conditions.

6.2 Troubleshooting

Problem	Solution
The printer is switched on but the LED does not light up.	<ul style="list-style-type: none">◆ Check the power supply. <small>Please see the Section 2.4</small>
The LED lights up red and printing is interrupted.	<ul style="list-style-type: none">◆ Check the software settings (driver settings) or command codes.◆ Look for the error alert in the table in Section 3.3 Error Alerts.◆ Check whether the print mechanism is closed correctly. <small>Please see the Section 3.3</small>
The label stock passes through the printer but no image is printed.	<ul style="list-style-type: none">◆ Please make sure that the label stock is loaded the right side up and that it is the suitable material.◆ Choose the correct printer driver.◆ Choose the correct label stock and a suitable printing mode.
The label stock jams during printing.	<ul style="list-style-type: none">◆ Clear the paper jam. Remove any label material left on the thermal print head and clean the print head using a soft lint-free cloth dipped in alcohol. <small>Please see the Section 6.1</small>
There is no printed image on some parts of the label.	<ul style="list-style-type: none">◆ Check whether there is any label material or ribbon stuck to the thermal print head.◆ Check for errors in the application software.◆ Check whether the starting position has been set correctly.◆ Check the ribbon for wrinkles.◆ Check the power supply is correct
There is no printed image on part of the label or the image is blurred.	<ul style="list-style-type: none">◆ Check the thermal print head for dust or other dirt.◆ Use the internal "~T" command to check whether the thermal print head will carry out a complete print job.◆ Check the quality of the print medium.
The printed image is positioned incorrectly.	<ul style="list-style-type: none">◆ Check whether there is paper or dust covering the sensor.◆ Check whether the label stock is suitable. Contact your supplier.◆ Check the paper guide settings.
Skipping labels during printing.	<ul style="list-style-type: none">◆ Check the label height setting.◆ Check whether there is dust covering the sensor.◆ Run the auto-detection function. <small>Please see the Section 3.2</small>
The printed image is blurred.	<ul style="list-style-type: none">◆ Check the darkness setting.◆ Check the thermal print head for dust or dirt. <small>Please see the Section 6.1</small>
The cutter does not cut off the labels in a straight line.	<ul style="list-style-type: none">◆ Check whether the label stock is positioned straight.
The cutter does not cut off the labels completely.	<ul style="list-style-type: none">◆ Check whether the label is more than 0.2 mm thick.
When using the cutter, the labels are not fed through or cut off incorrectly.	<ul style="list-style-type: none">◆ Check whether the cutter has been correctly installed.◆ Check whether the paper guides are functioning correctly.
The label dispenser is not functioning normally.	<ul style="list-style-type: none">◆ Check whether there is dust on the label dispenser.◆ Check whether the label stock is positioned correctly.

Note

* If this does not resolve the problem, contact your dealer.

APPENDIX—PRODUCT SPENIFICATIONS

Model Name		RT823i+	RT833i+	RT863i+
Print Method		Thermal Transfer / Direct Thermal		
Resolution		203 dpi (8 dots/mm)	300 dpi (12 dot/mm)	600 dpi (24 dots/mm)
Print Speed		Up to 7 ips (178 mm/s)	Up to 5 ips (127 mm/s)	Up to 3 ips (76.2 mm/s)
Print Width		4.25" (108 mm)	4.16" (105.7 mm)	4.16" (105.7 mm)
Print Length		Min. 0.16" (4 mm)** ; Max . 279.53" (7100 mm)	Min. 0.16" (4 mm)** ; Max. 125.98" (3200 mm)	Min. 0.16" (4 mm)** ; Max . 31.5" (800 mm)
Processor		32-bit RISC CPU		
Memory	Flash	128 MB		
	SDRAM	128 MB		
Sensor Type		Adjustable reflective sensor (full range). Fixed transmissive sensor. Central aligned		
Media	Type	Continuous form, gap labels, black mark sensing, and punched hole; label length set by auto sensing or programming		
	Width	Min. 0.79" (20 mm) – Max. 4.65" (118 mm)		
	Thickness	Min. 0.0024" (0.06 mm) – Max. 0.008" (0.2 mm)		
	Label roll diameter	Max. 5" (127 mm)		
Ribbon	Core diameter	1" (25.4 mm), 1.5" (38.1 mm)		
	Types	Wax, wax/resin, resin		
	Length	984" (300 m)		
	Width	Min. 1.18" (30 mm) – Max. 4.33" (110 mm)		
Ribbon roll diameter	Ribbon roll diameter	2.67" (68 mm)		
	Core diameter	1" (25.4 mm)		
Printer Language		EZPL, GEPL, GZPL, GDPL auto switch		
Software	Label design tool	GoLabel II (for EZPL only) (Windows)		
	Management tools	GoTools (Windows / Android) GoUtility (Windows)		
	APP	GoAPP (Android / iOS)		
Driver		Windows 7, Windows 8 & 8.1, Windows 10, Window11, Windows Server 2008 R2, 2012, 2012 R2, 2016, 2019, 2022, MAC, Linux		
SDK		Win CE, .NET, Windows 7, Windows 8 & 8.1, Windows 10, Windows 11, Android, Mac, iOS		
Resident Fonts	Bitmap Fonts	6, 8, 10, 12, 14, 18, 24, 30, 16X26 and OCR A & B 0°, 90°, 180°, 270° rotatable, single characters 0°, 90°, 180°, 270° rotatable 8 times expandable in horizontal and vertical directions		
	TTF Fonts	(Bold / Italic / Underline) 0°, 90°, 180°, 270° rotatable Internal TTF Fonts x5 : Traditional Chinese, Simplified Chinese, Japanese, Korean, Western languages		
Download Fonts	Bitmap Fonts	0°, 90°, 180°, 270° rotatable, single characters 0°, 90°, 180°, 270° rotatable		
	Asian Fonts	16x16, 24x24. Traditional Chinese (BIG-5), Simplified Chinese(GB2312), Japanese (S-JIS), Korean (KS-X1001) 0°, 90°, 180°, 270° rotatable and 8 times expandable in horizontal and vertical directions		
	TTF Fonts	(Bold / Italic / Underline) 0°, 90°, 180°, 270° rotatable		
Barcodes	1-D Bar Codes	China Postal Code, Codabar, Code 11, Code 32, Code 39, Code 93, Code 128 (subset A, B, C), EAN-8/EAN-13 (with 2 & 5 digits extension), EAN 128, FIM, German Post Code, GS1 DataBar, HIBC, Industrial 2 of 5 , Interleaved 2-of-5 (1 2 of 5), Interleaved 2-of-5 with Shipping Bearer Bars, ISBT-128, ITF 14, Japanese Postnet, Logmars, MSI, Postnet, Plessey, Planet 11 & 13 digit, RPS 128, Standard 2 of 5, Telepen, Matrix 2 of 5, UPC-A/UPC-E (with 2 or 5 digit extension), UCC/EAN-128 K-Mart, Random Weight and Pharmacode		
	2-D Bar Codes	Aztec code, Code 49, Codablock F , Datamatrix code, MaxiCode, Micro PDF417, Micro QR code, PDF417, QR code, TLC 39, GS1 Composite, DotCode, Marco PDF 417		
Code Pages		Codepage 437, 737, 850, 851, 852, 855, 857, 860, 861, 862, 863, 865, 866, 869 Windows 1250, 1251, 1252, 1253, 1254, 1255, 1257 Unicode UTF8, UTF16BE, UTF16LE		
Graphics		Resident graphic file types are BMP and PCX, other graphic formats are downloadable from the software		
Interfaces		USB 2.0 (Type B) Serial port (RS-232) Ethernet 10/100 Mbps 3 USB Host (Type A)		
Control Panel		Backlight 3.2" Touch Screen LCD Calibration button Control Key : FEED Power on/standby button		
Real Time Clock		Option		
Power		Auto Switching 100-240V AC, 50-60Hz		
Environment	Operation temperature	41°F to 104°F (5°C to 40°C)		
	Storage temperature	-4°F to 140°F (-20°C to 60°C)		
Humidity	Operation	25-85%, non-condensing		
	Storage	10-90%, non-condensing		
Agency Approvals		CE (EMC), FCC Class B, CB, cULus, ICES-003, UKCA, ENERGY STAR <i>(The safety certification marks may be different depending on sales regions.)</i>		
Dimension	Length	280 mm (11.0")		
	Width	210 mm (8.3")		
	Height	195 mm (7.7")		
Weight		2.7 Kg (5.9 lbs), excluding consumables		
Options		Cutter module (Dealer Install) Label dispenser (Dealer Install) BT (Dealer Install)		

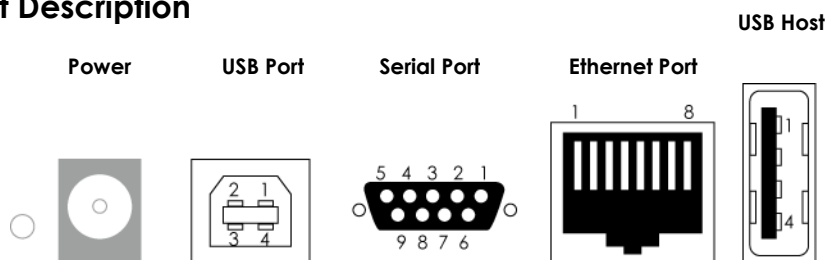
Wireless LAN (Dealer Install)
WiFi module to WiFi and BT (BLE 5.0) combo module (Dealer Install)
External label unwind stand
External label rewinder
Real time clock (RTC)

* Specifications are subject to change without notice. All company and/or product names are trademarks and/or registered trademarks of their respective owners.

** Minimum print height and maximum print speed specification compliance can be dependent on non-standard material variables such as label type, thickness, spacing, liner construction, etc. Godex is pleased to test non-standard materials for minimum print height, and maximum print speed capability.

APPENDIX—Communication Port Specifications

Pinout Description



● USB Port

Connector Type : Type B



Pin NO.	1	2	3	4
	NV	D-	D+	GND

● Serial Port

Default Settings : Baud rate 9600, no parity, 8 data bit, 1 stop bit, XON/XOFF

Protocol and RTS/CTS

RS232 Housing (9-pin to 9-pin)

Pin NO.	1	2	3	4	5	6	7	8	9	Type
	+5V, Max 500 mA	TXD	RXD	N/C	GND	RTS	CTS	RTS	N/C	DB9 Plug
	-	RXD	TXD	DTR	GND	DSR	RTS	CTS	RI	DB9 Socket

● Ethernet Port

Type : RJ45

Pin NO.	1	2	3	4	5	6	7	8
	TX+	TX-	RX+	NC	NC	RX-	NC	NC

● USB Host

Connector Type : Type A

Pin NO.	1	2	3	4
	VBUS	D-	D+	GND

Note

* Serial port total output can not exceed the maximum current of 500mA

APPENDIX—FILE MANIPULATION WHEN USING USB STICK

File Manipulation

The files in both devices (USB memory stick and printer internal Flash memory) are able to copy and move by the commands ‘~MCPY’ and ‘~MMOV’ that sends from GoLabel on a PC via either connection - USB or Ethernet ports.

Copy

Syntax	~MCPY,s:o.x,d:o.x
Parameter	s = source device of stored object (s = D (for USB memory stick;) or F (for internal Flash memory)) d = destination device of stored object o = object name , “o” is substituted for “ * ” x = extension (file type), the type “x” is substituted by “*”, or following either one: = D, database = A, Asia font = C, TTF font = E, Bit-Mapped font = F, label form = G, graphic = S, serial file = T, text = B, Unicode Table
Description	Copy file from USB memory stick to Flash memory, or vise-versa
Example	~MCPY,F:*F,D:*F ~MCPY,D:*G,F:

Move

Syntax	~MMOV,s:o.x,d:o.x
Parameter	s = source device of stored object (“D” for USB memory stick; “F” for internal Flash memory d = destination device of stored object o = object name (file name); the name “o” is substituted for “*” x = extension (file type), the type “x” is substituted by “*”, or following either one: = D, database = A, Asia font = C, TTF font = E, Bit-Mapped font = F, label form = G, graphic = S, serial file = T, text = B, Unicode Table
Description	Move file
Example	~MMOV,F:*F,D:*F ~MMOV,D:*G,F:

APPENDIX—Bluetooth setting

Steps for setting bluetooth module

Step 1. Power off the printer

Step 2. Install the Bluetooth module

Note : Methods for installing Bluetooth module, please refer to Bluetooth module manual.

Step 3. A gray Bluetooth icon will be displayed in the main page after switching on the printer and it indicates that the printer has detected the Bluetooth module.



Steps for setting Bluetooth keyboard

Active the Bluetooth keyboard to be detectable

Step 1. Press "Connect" button. After connecting to a Bluetooth keyboard, the printer will detect Bluetooth keyboard automatically, as the figure indicates below.



Step 2. The indicator at the upper left corner of Bluetooth keyboard will flash blue when it has been detected.



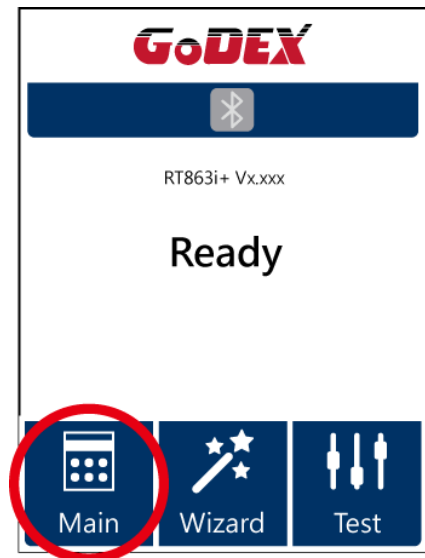
Step 3. The indicator will stop flashing if the Bluetooth keyboard connects to printer properly.



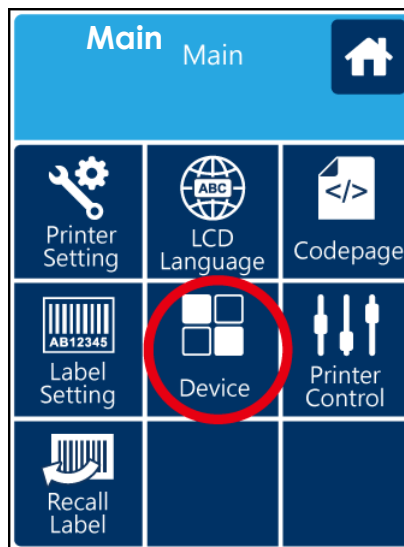
Steps for setting bluetooth connection on the LCD panel

Step 1. Turn on the printer and LCD panel will display " Main menu"

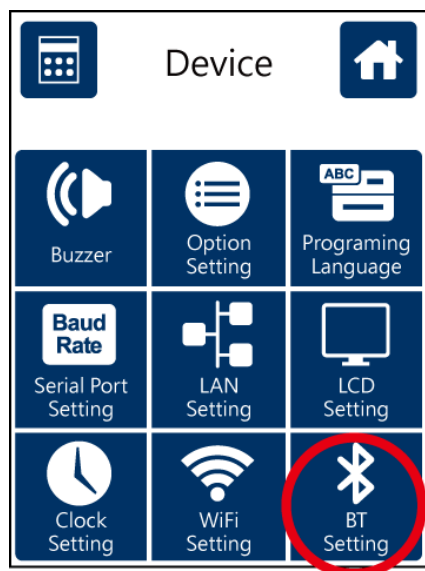
Step 2. Select " Main"



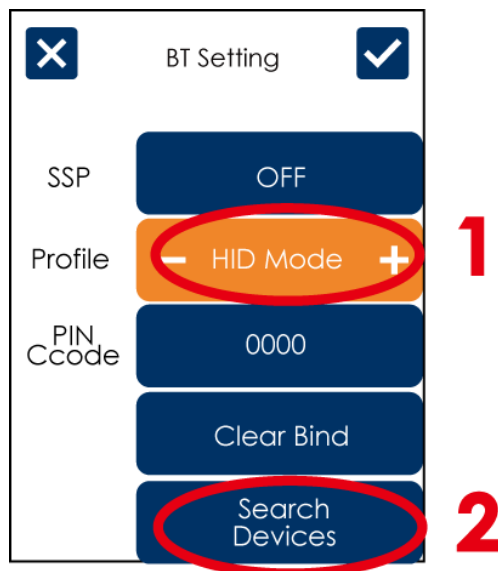
Step 3. Select "Devices"



Step 4. Select " Bluetooth Settings"

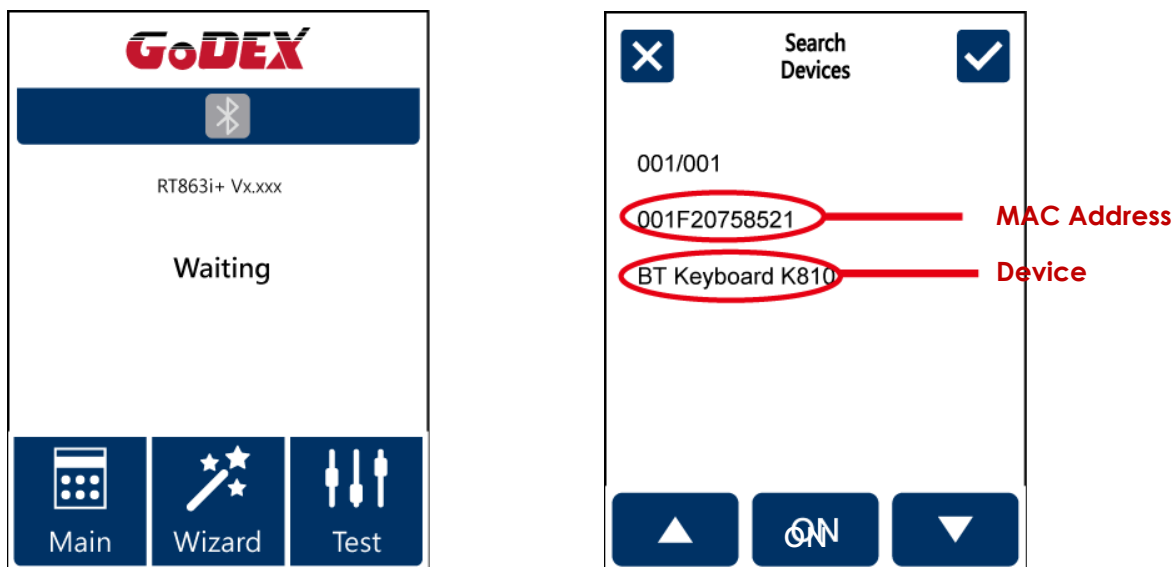


Step 5. "Profile " into "HID Mode" and then click "Search Devices"



Step 6 . The LCD panel will display "Waiting" when the printer detects the Bluetooth keyboard (figure left).

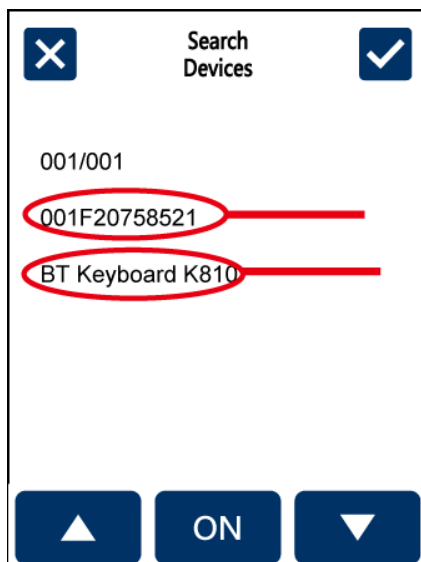
When the Bluetooth keyboard is detected by the printer, the monitor will indicate the information of Bluetooth keyboard (figure right).



Step 7 . Press "ON" button on the LED panel to create a connection between the printer and the Bluetooth keyboard, and then the LCD panel will display "Please Enter PIN Code " .

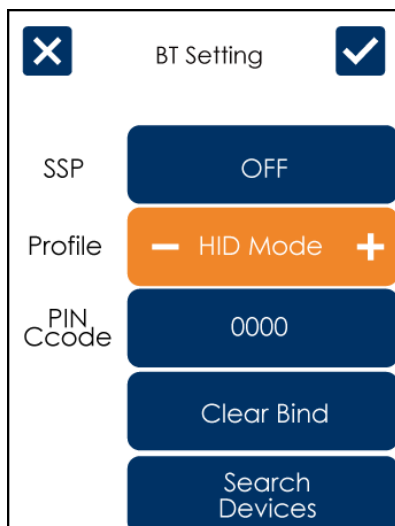
Enter the "PIN Code" into the printer via the Bluetooth keyboard.

Note : The "PIN Code" does not need to be entered if the "SSP" of the printer and the Bluetooth keyboard is set "ON".



Step 8 . When the connection is successfully created, the current panel will be automatically switched to the setting menu of Bluetooth, as the figure below indicates.

(The upper left corner of Bluetooth keyboard will stop flashing at this time.)



If the current panel is switched to main menu, the LCD panel will display "Bluetooth "and "Keyboard" icons, as the figure below indicates.



Steps for creating the connection between cellphone and printer via bluetooth

Set the bluetooth value of the printer

Step 1. Power on the printer and LCD panel displays "Main manu"

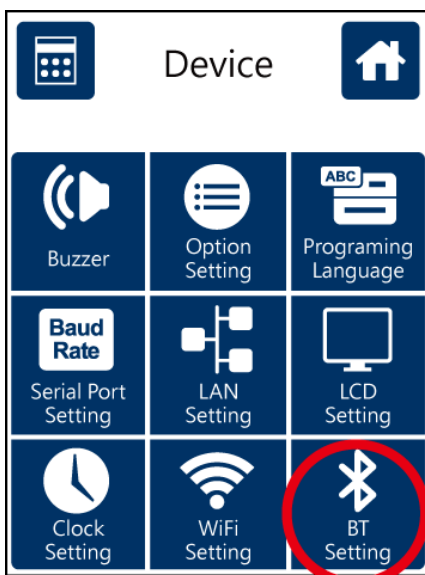
Step 2. Select "Main"



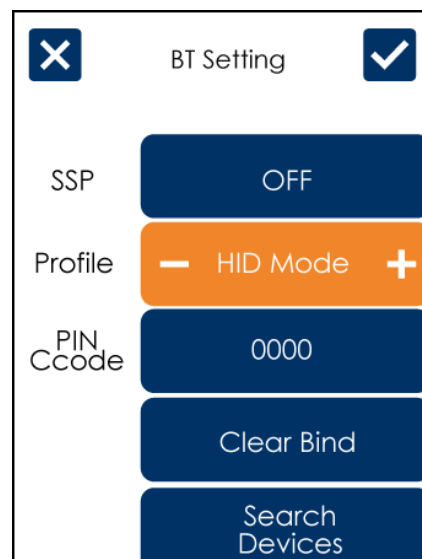
Step 3. Select "Device"



Step 4. Select "Bluetooth settings"



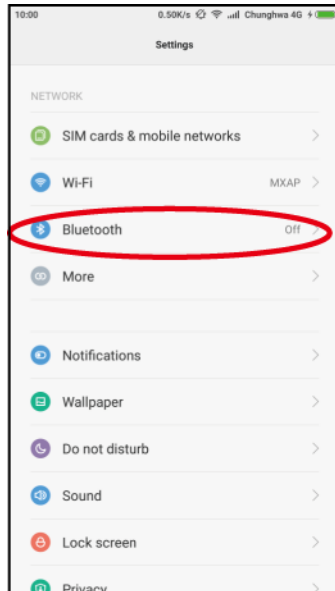
Step 5. Set "Profile" into "SPP Mode" .



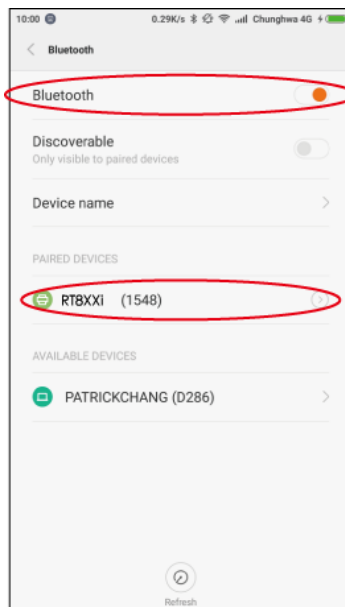
Set the bluetooth function of the mobile phone

(Go App only support Android system and the methods of setting Bluetooth may vary from each mobile phone .)

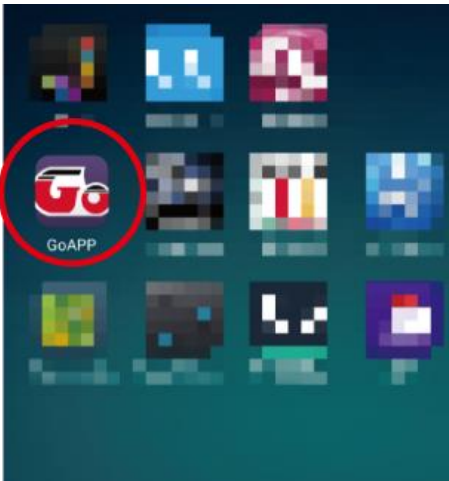
Step 1. Open "Setting manu of mobile phone and select "Bluetooth" .



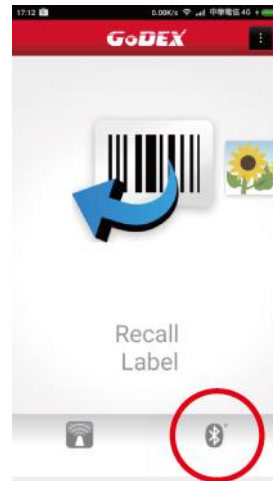
Step 2. After selecting "Open" of Bluetooth, mobile phone will automatically detect Bluetooth devices. Select the desired device name. After the connection is successfully created, the mobile phone will display the matched device name, as the figure below indicates.



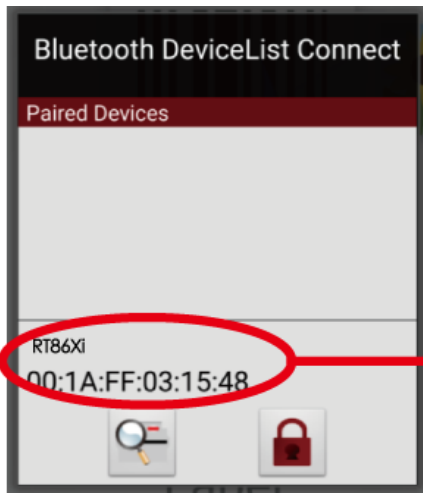
Step 3. Activate " Go APP"



Step 4. Select the icon at the bottom right of " Go APP"

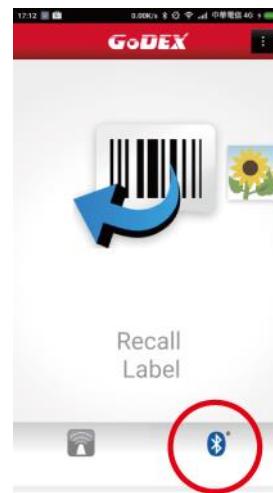


Step 5. Select the desired device name and MAC Address



Device name and MAC Address

Step 6. The icon at the bottom right of " Go APP" will turn blue when the mobile phone and Bluetooth are properly connected.



Steps for creating the connection between PC and printer via bluetooth

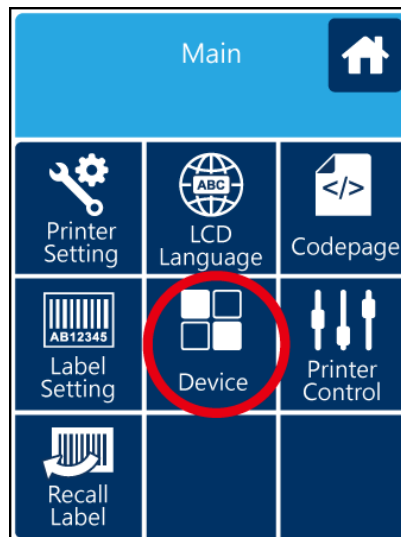
Set bluetooth parameters of the printer

Step 1. Power on the printer and LCD panel

displays "Main manu"

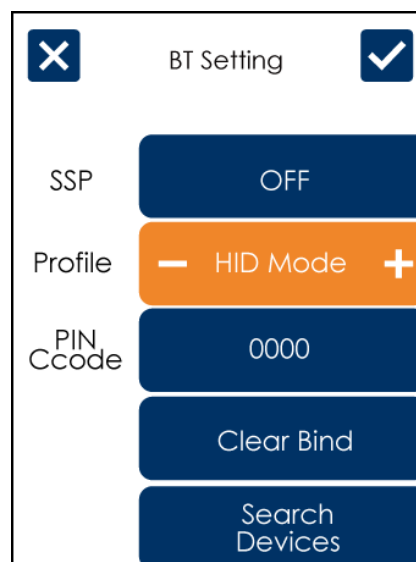
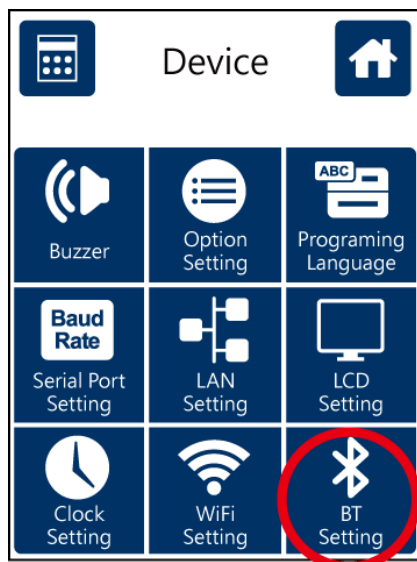
Step 2. Select "Main"

Step 3. Select "Devices"



Step 4. Select "Bluetooth settings"

Step 5. Set "Profile" into "SPP Mode"



Activate "BlueSoleil Space" and create the connection after inserting the Bluetooth device into the slot of PC Mainframe

Mainframe

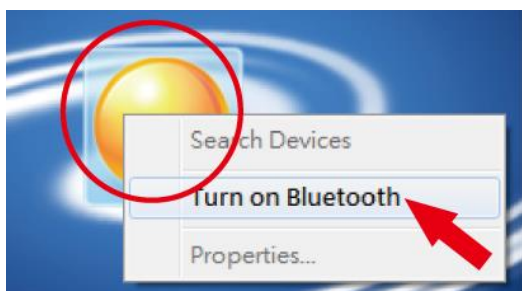
Step 1. Insert the Bluetooth device into the slot of PC Mainframe



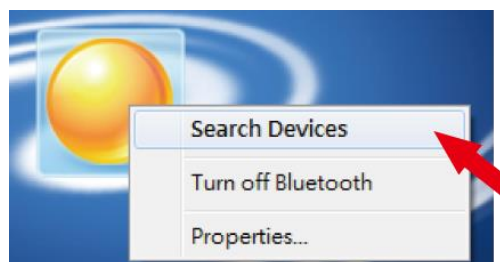
Step 2. Activate "BlueSoleil Space"
(Each Bluetooth device has its compatible software)



Step 3. Select the desired icon with the mouse and right-click on the mouse to select "Turn on Bluetooth" (The Bluetooth device now lights up in green.)



Step 4. Right-click on the mouse and select "Search Devices"



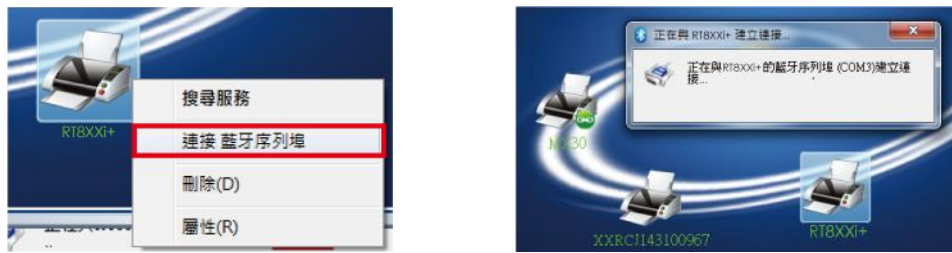
Step 5. The detected device will display
"00:1A:FF:XX:XX:XX "



Step 6. Right-click on the mouse and select "Get Device Name" and the icon of the printer will display "RT8XXi"

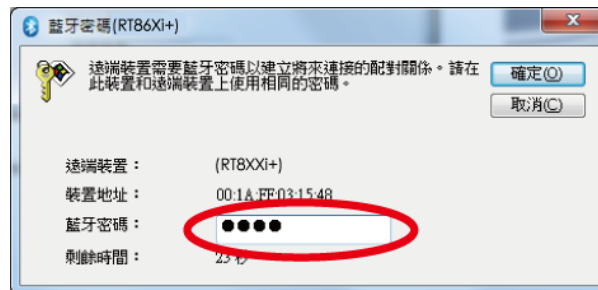


Step 7. Right-click on the mouse and select "Connect Bluetooth Serial Port"(see the left figure below),
Then,the screen displays a message of establishing a connection, as the right figure below indicates.

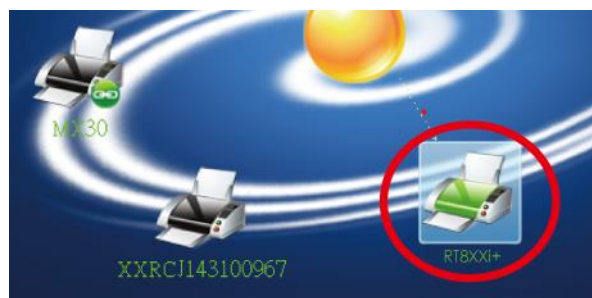


Step 8. Input the Bluetooth code :0000 (default)

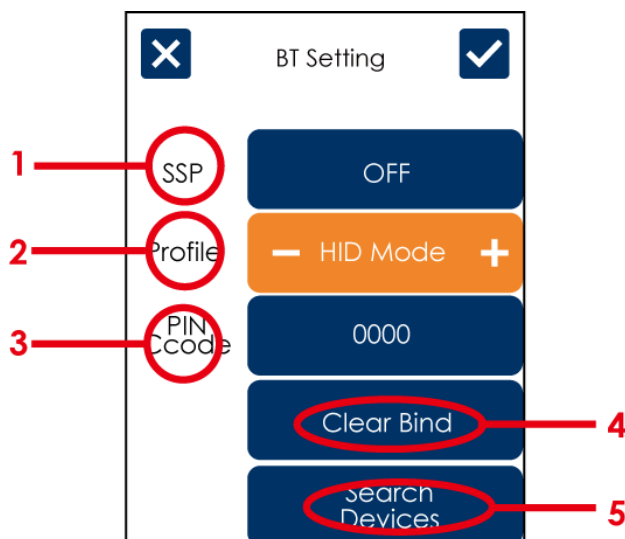
Note : The Bluetooth code does not need to be inputted when the SSP mode of the Bluetooth setting in the printer and the PC is set "Activated".



The icon of the printer lights up green when the connection between PC and the printer is successfully created.



Introduction of the Bluetooth parameters



1	SSP	The Bluetooth code is not needed to be inputted when the SSP mode of the Bluetooth setting in the printer and the PC/Keyboard is set "Activated". Please select "Clear Bind", you are allowed to change the setting after the connection is successfully created.
2	Profile	It can be switched to SPP mode or HID mode. SPP mode: For creating the connection of PC or mobile phone HID mode: For creating the connection of Bluetooth keyboard and Bluetooth scanner. Please select "Clear Bind", you are allowed to change the setting after the connection is successfully created.
3	PIN Code	Code of printers and Bluebooth. Please select "Clear Bind", you are allowed to change the setting after the connection is successfully created.
4	Clear Bind	It deletes connections of Bluetooth devices.
5	Search Devices	It scans Bluetooth devices when pressing the button. It shows information of devices when the searching is completed. 1. It only supports HID 2. It only shows English and numbers. 3. It shows maximum 16 pairs information of devices * It disconnects current connection when functioning, after creating a successful connection.

APPENDIX—Wi-Fi Setting

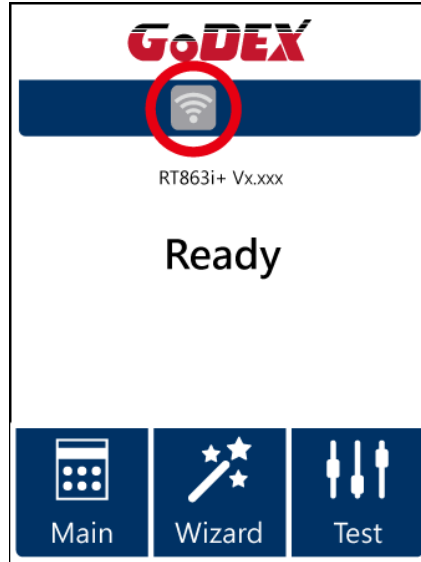
Steps for setting Wi-Fi module

Step 1. Turn Off the Power

Step 2. Insert the Wireless Module

Please follow the “Wireless Module Installation Manual” to insert the wireless module of RT863i

Step 3. The screen will display a grey Wi-Fi icon, and this means the printer has successfully detected the wireless module.



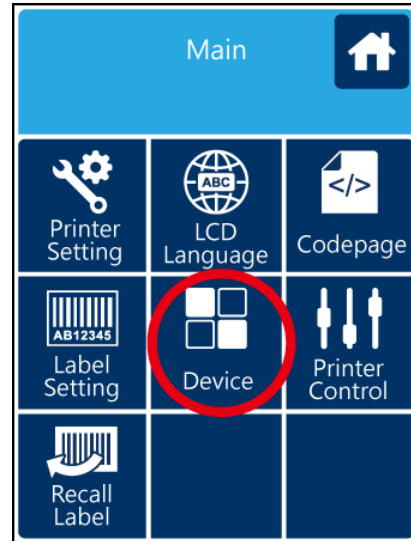
Matching the Wireless Access Point Through Touch Panel

Step 1. Turn on the printer and LCD panel will display "Main menu"

Step 2. Select "Main"



Step 3. Select "Devices"



Step 4. Select "WiFi Settings"



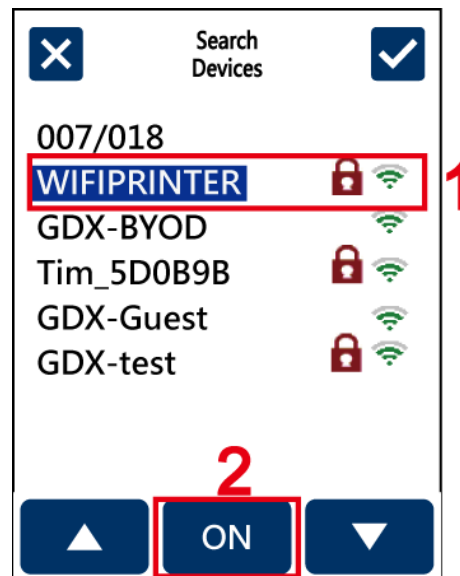
Step 5. Select "Search Devices"



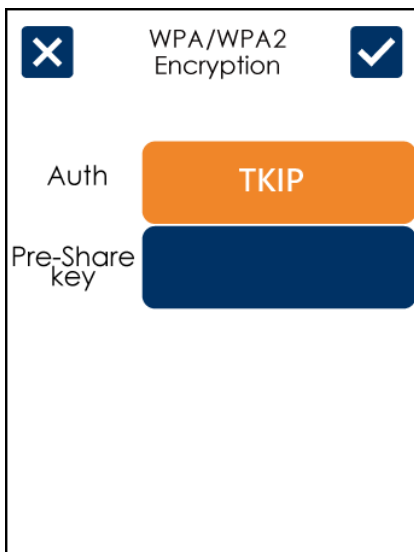
Step 6. Wi-Fi device lists will pop-up after a few seconds



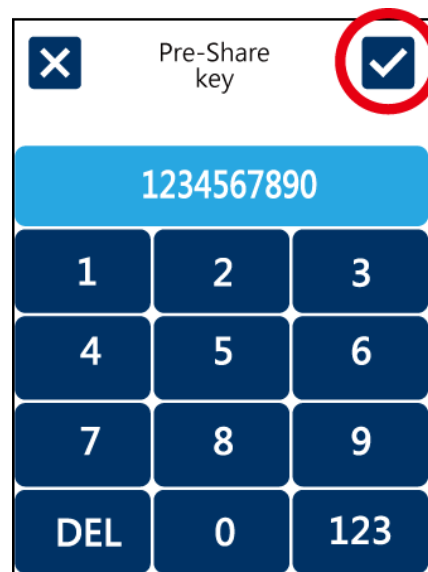
Step 7. Choose the assigned Wi-Fi device then press the ON button



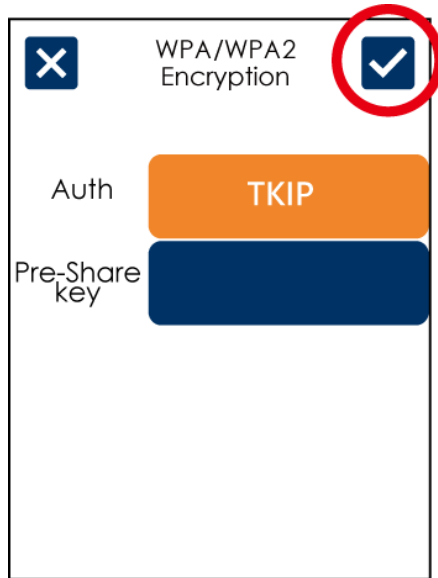
Step 8. Click on Password Column



Step 9. Insert Password and Click



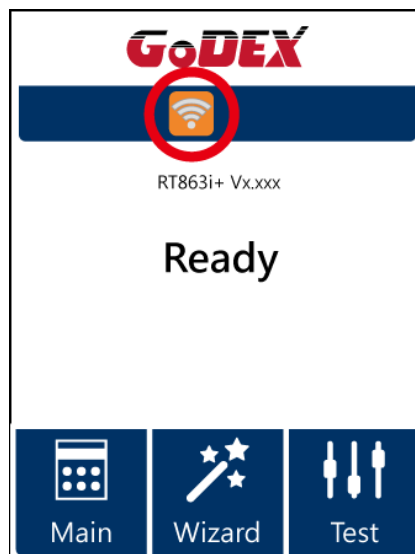
Step 10. Click on again and connect to AP



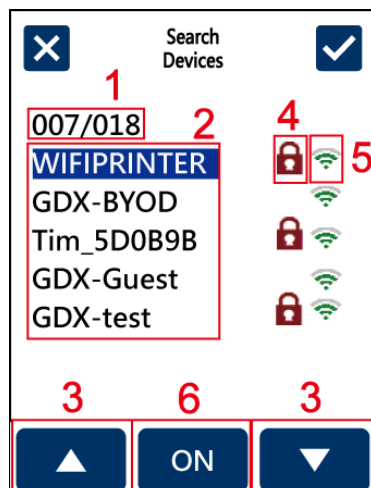
Step 11. When Wi-Fi module is successfully installed, the printer will restart



Step 12. If the Wi-Fi Icon turns purple, it means the printer is connected to a Wi-Fi device



Definition of Wireless Devices Interface

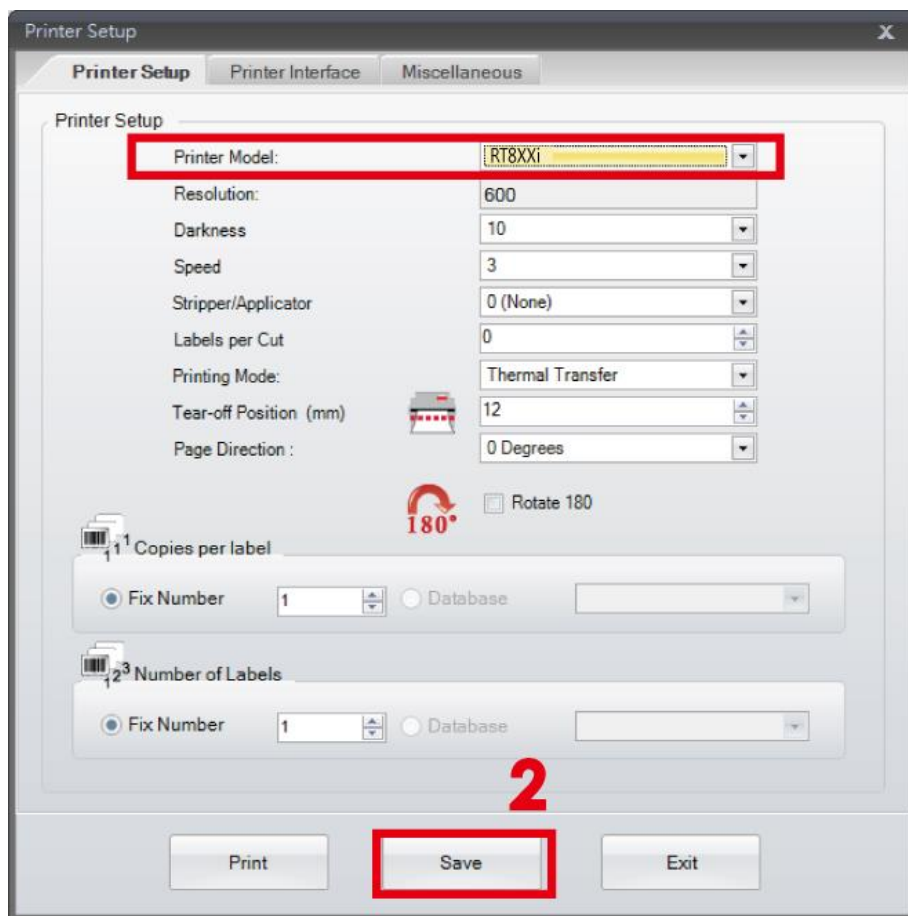


No.	Item	Explanation
1	Serial Number	Number of current connecting devices / Total device number
2	SSID	Lists of Wi-Fi options. It shows 5 devices at a time (Highlighted item is the current connecting device)
3	Up/Down	Click Up/Down button to switch the connecting devices
4	Password	It means the device needs password to connect
5	Signal Strength	The more bars it shows , the stronger the signal is it
6	Connecting Button	The button to connect with devices

How to connect to a wireless access point through GoLabel

Step 1. Open GoLabel V1.12 and click on the assigned printer model (Ex:RT863i)

Step 2. Press“OK”



Step 3. Select "Netsetting"

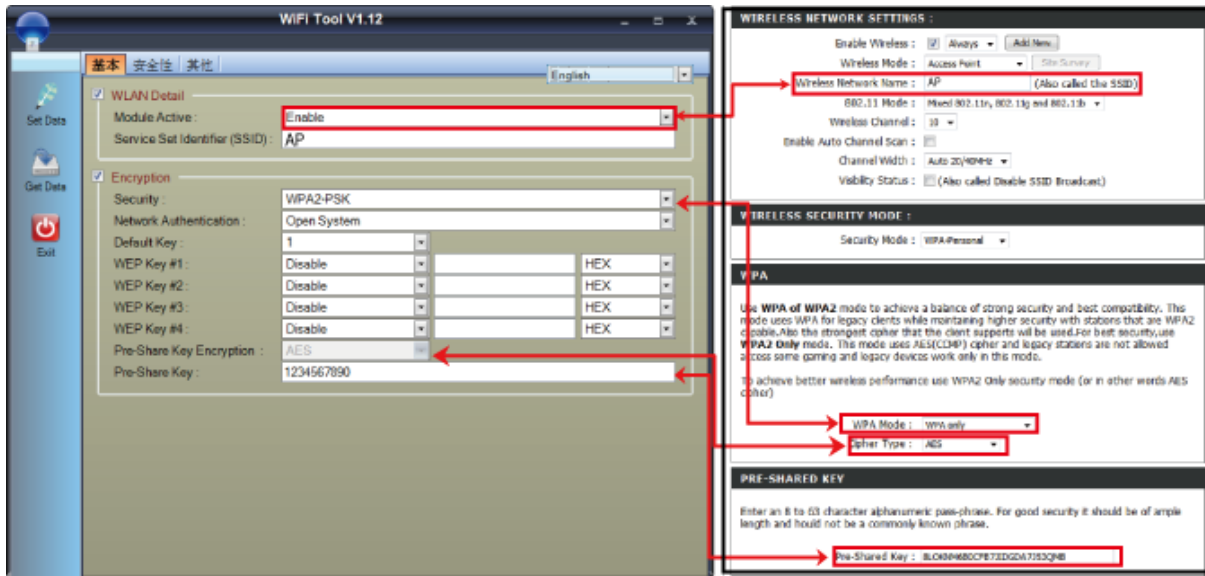
Step 4. Select "Wi-Fi Setting"



The tip to set Wi-Fi

Step 1. Pressing the <Setting Parameter> button

Step 2. Wait for three seconds, and the printer will restart (It may vary per condition)



Step 3. After the printer restart, if the Wi-Fi icon turns purple, it means the printer is successfully connected to a Wifi device



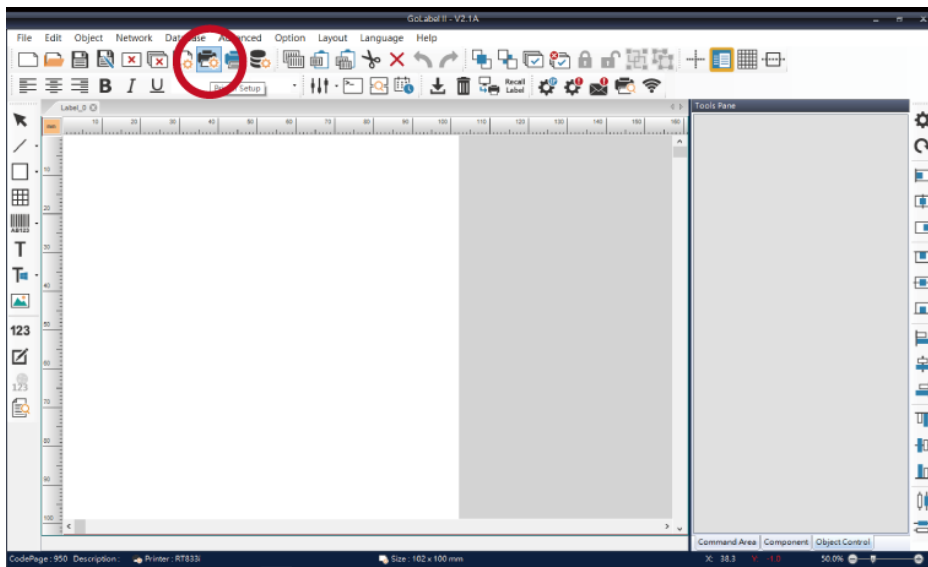
APPENDIX—Wi-Fi Printer Sever Module Installation(Quick Setting)

Set up wireless network through GoDEX WiFi tool

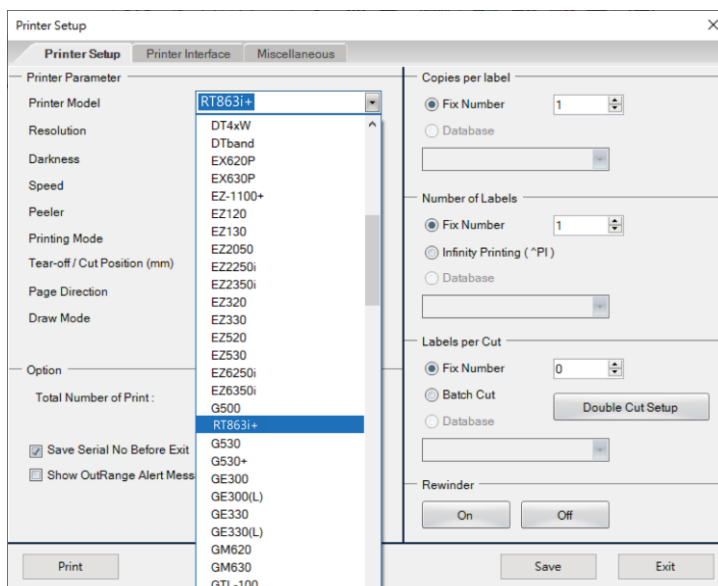
* Quick setting only supports GoLabel 1.15K and Arm 7 (FW1.100)
Or Arm 9 (FW2.00A) or higher version



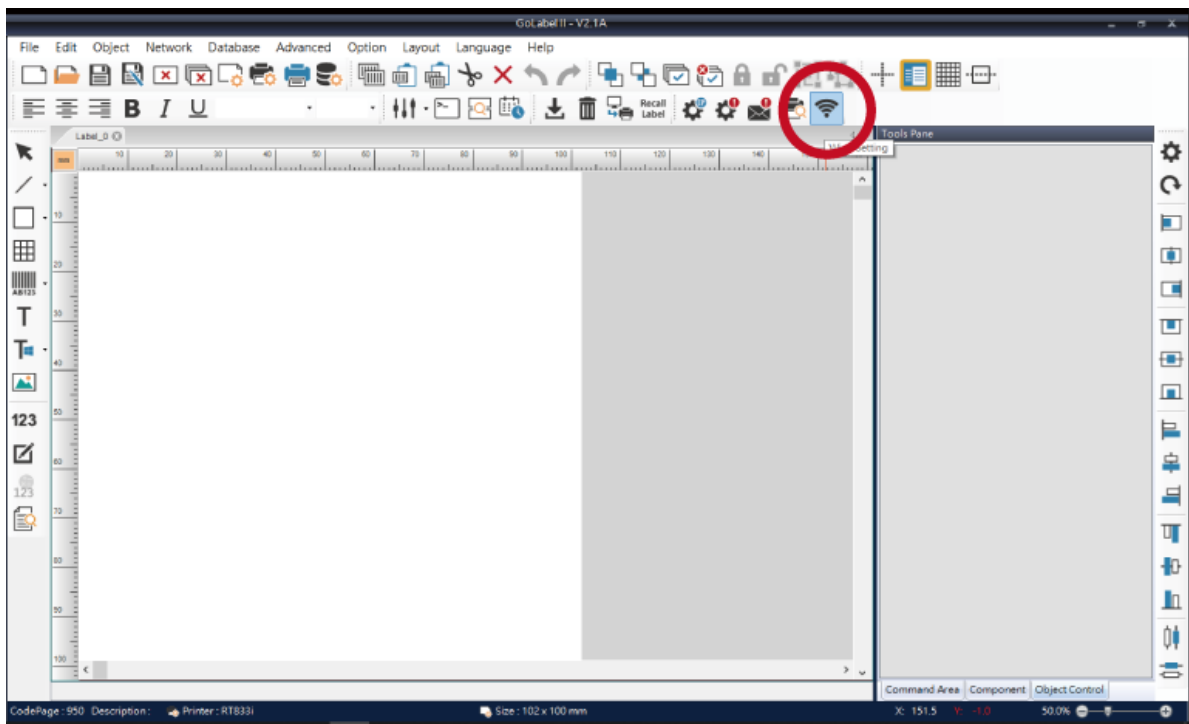
1. Turn on the printer, connect printer and computer by USB cable.
2. Start GoLabel II
3. "Generic" → "Printer Setup".



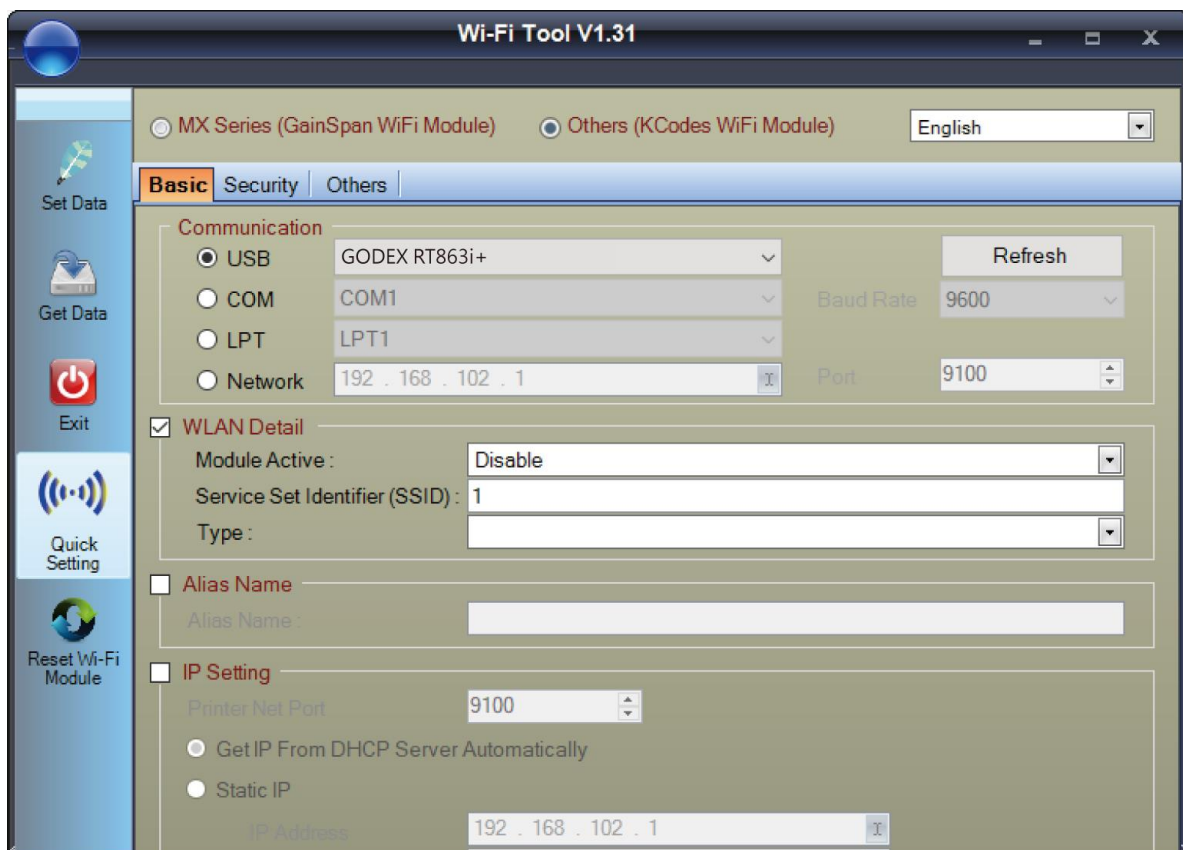
4. Select printer model (Wi-Fi supported models).



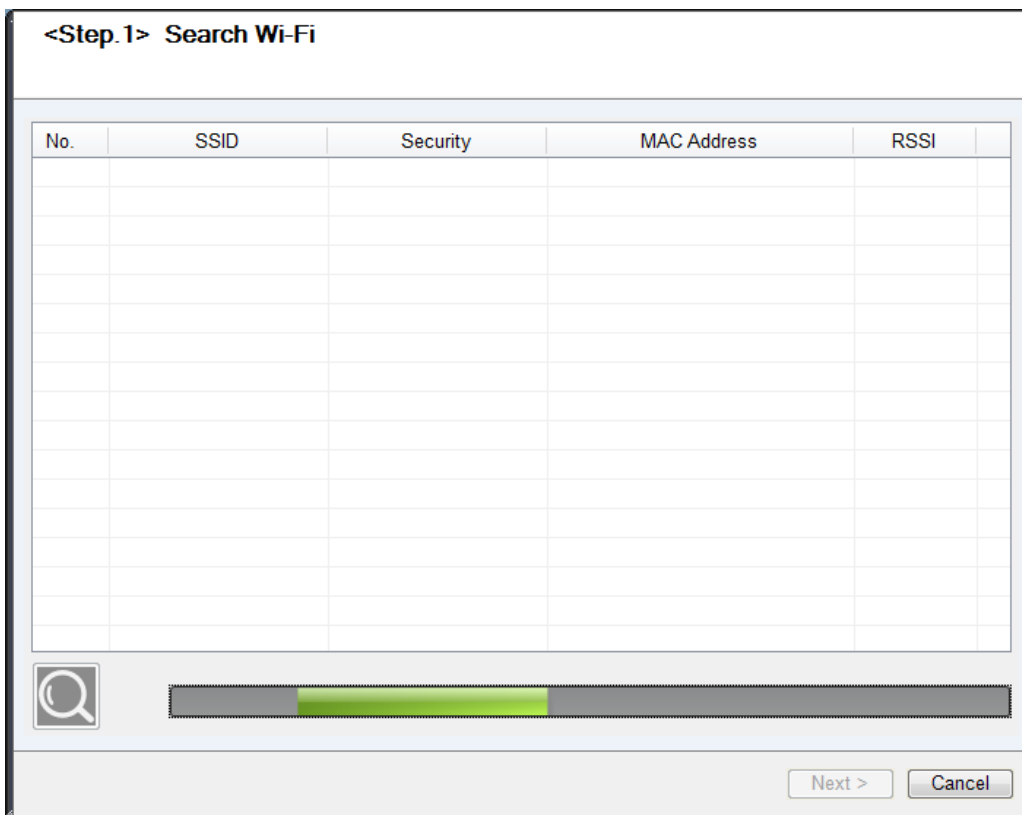
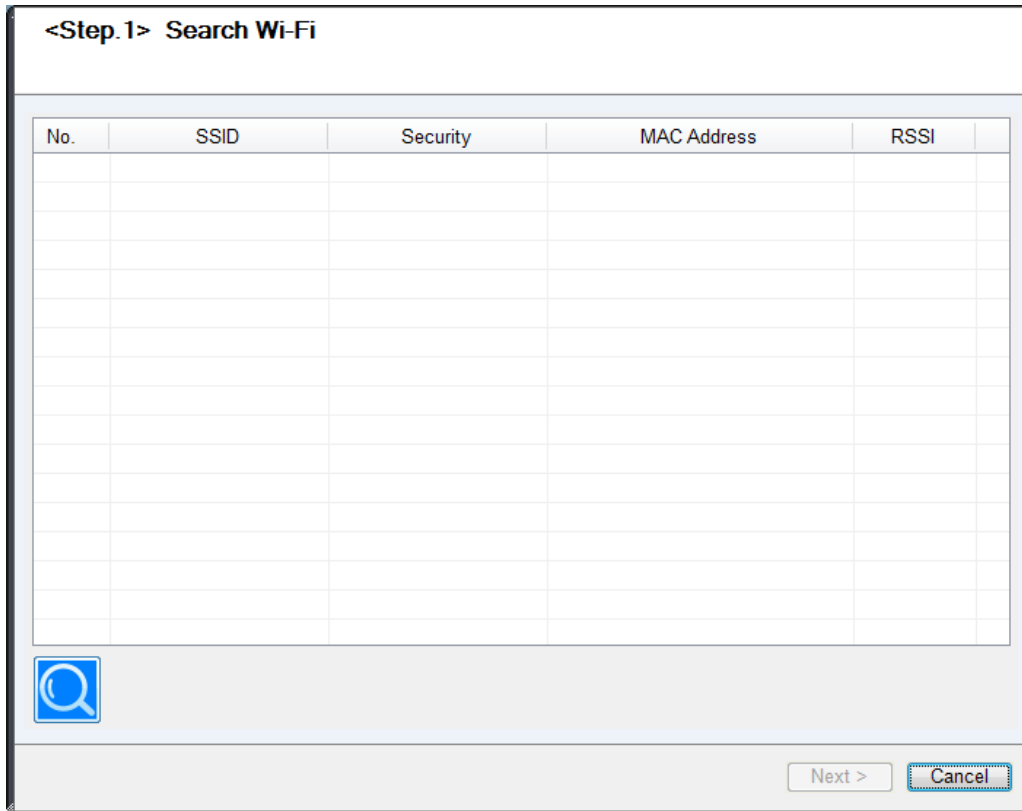
5. Click "WiFi Setting" icon.



6. Click "Quick Setting" icon.




7. Click the Search button.



8. Select server and click **next** button.

<Step.1> Search Wi-Fi

No.	SSID	Security	MAC Address	RSSI
00	MXAP	None	D4:8C:B5:BE:AD:05	-44
01	WiFiAP	WPA2-PSK	D6:8C:B5:BE:AD:05	-44
02	WLAN51111	WEP	D2:8C:B5:BE:AD:05	-44
03	WIFIPRINTER1	None	DE:8C:B5:BE:AD:05	-44
04	GDX-BYOD	None	24:DE:C6:97:57:B0	-54
05	GDX-Guest	None	24:DE:C6:97:57:B2	-54
06	GDX-test	WPA2-PSK	24:DE:C6:97:57:B3	-56
07	GDX-BYOD	None	24:DE:C6:97:57:80	-62
08	GDX-Guest	None	24:DE:C6:97:57:82	-62
09	GDX-test	WPA2-PSK	24:DE:C6:97:57:83	-62
10	HUAWEI-B525	WPA2-PSK	10:B1:F8:14:A2:F4	-70
11	GodexAP1	WPA-AUTO	00:50:7F:4A:24:61	-72
12	WLAN511010	None	00:50:7F:4A:24:60	-74
13	ABC123	None	00:50:7F:4A:24:63	-74
14	MXAPWPA2PER	None	00:50:7F:4A:24:62	-76
15	GDX-BYOD	None	24:DE:C6:97:57:60	-78
16	GDX-Guest	None	24:DE:C6:97:57:62	-78



Next > **Cancel**


9. Enter the **password** set on the server side and click the "**Setting**" button.

<Step.2> WiFi Setting

No.

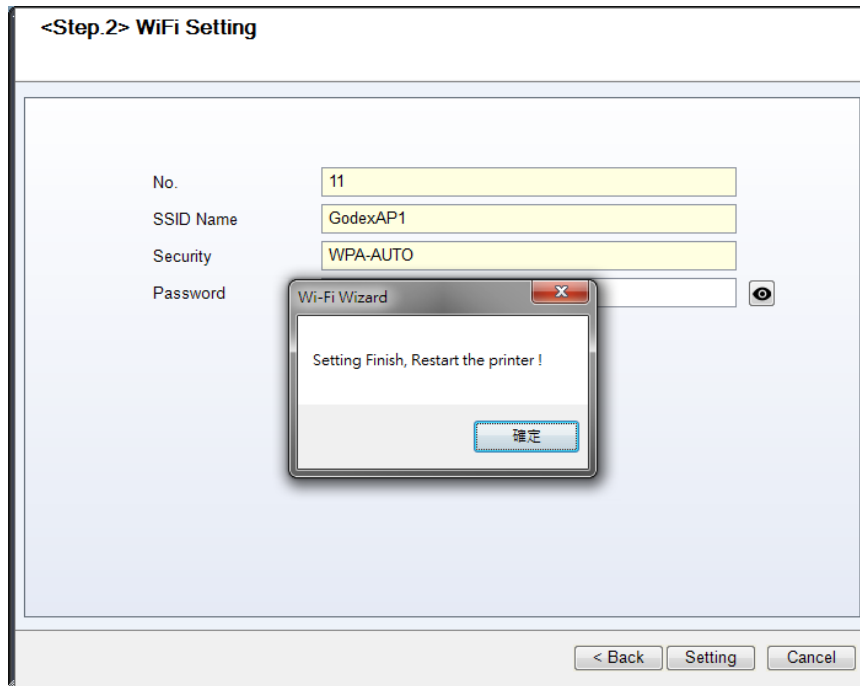
SSID Name

Security

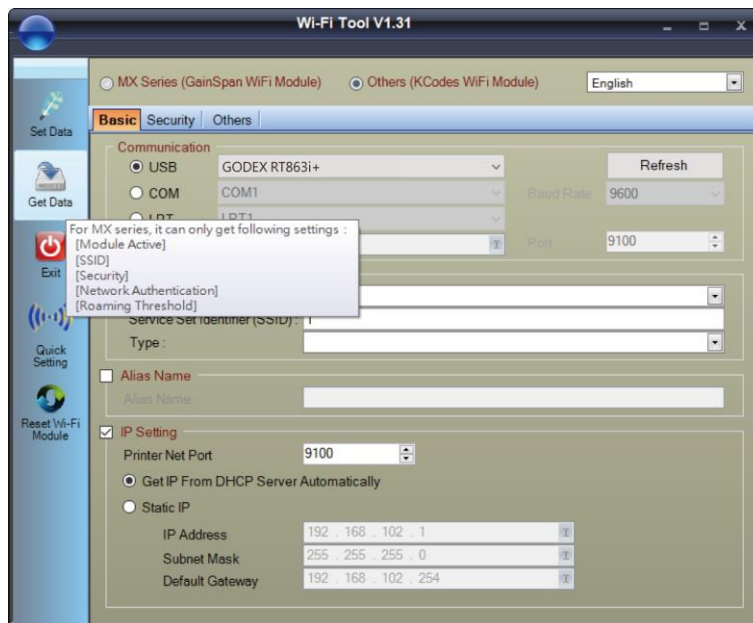
Password 

< Back **Setting** **Cancel**

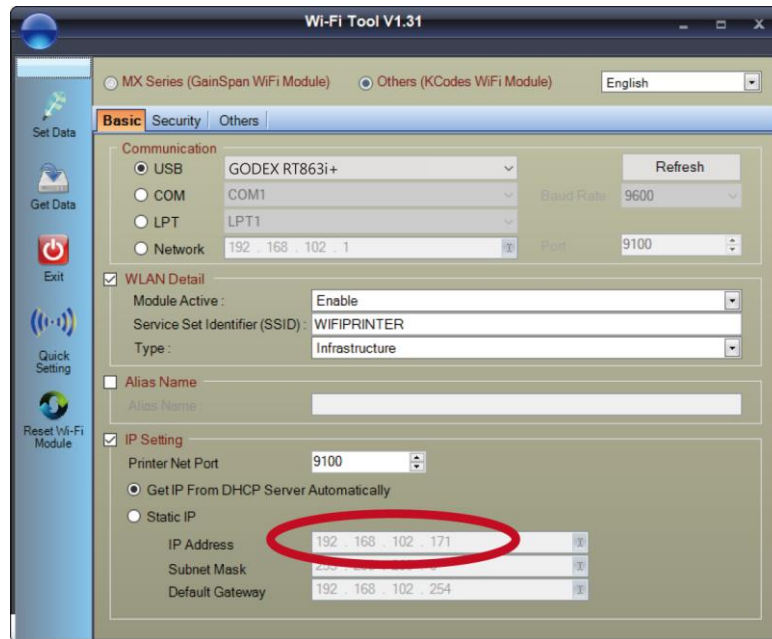
10. After the setting succeeded, a prompt will pop up and the printer will restart.



11. Select the "Other" tab and selecting "IP Settings" after click the "Get Data" icon.



12. After remembering the IP address, open the "Printer Settings" window.



13. Select the "Printer Interface" tab, fill in the IP address and click "Save" to complete the setting.

